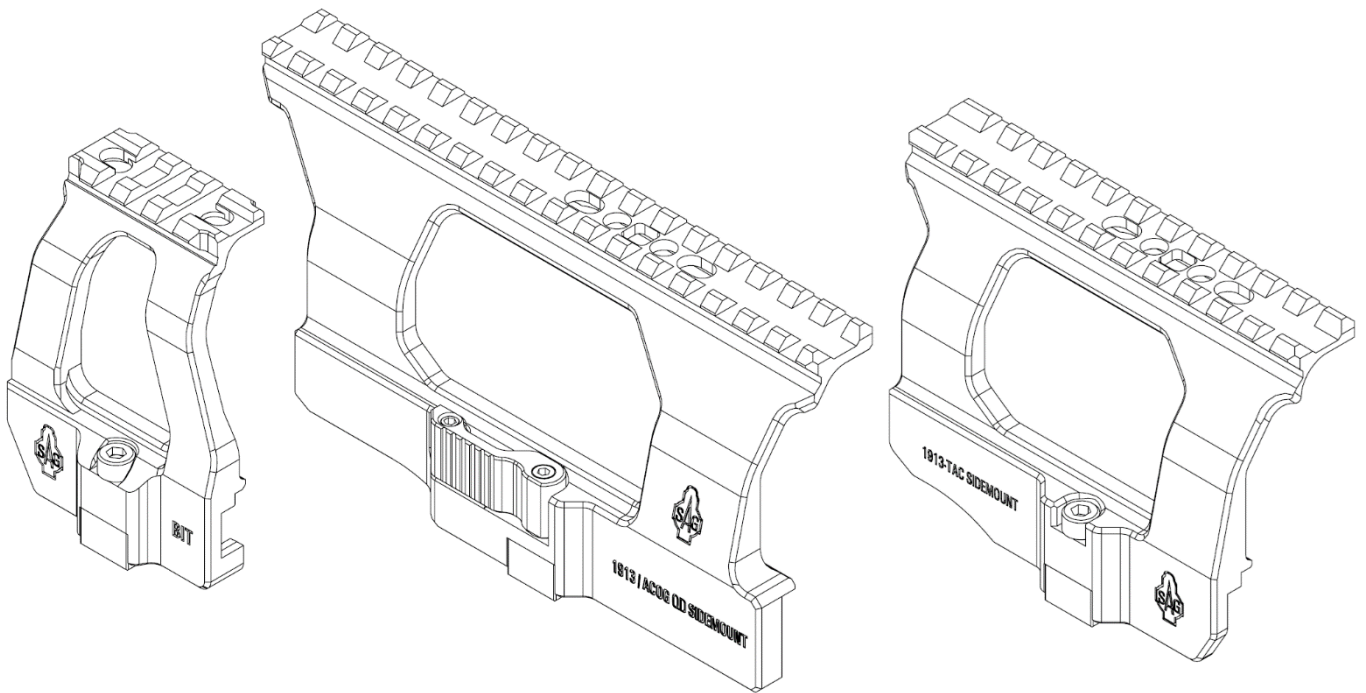


MANUAL



SURESHOT ARMAMENT

AK SIDEMOUNTS



Sureshot Armament Group, 2024

sureshot-armament.com

Contents

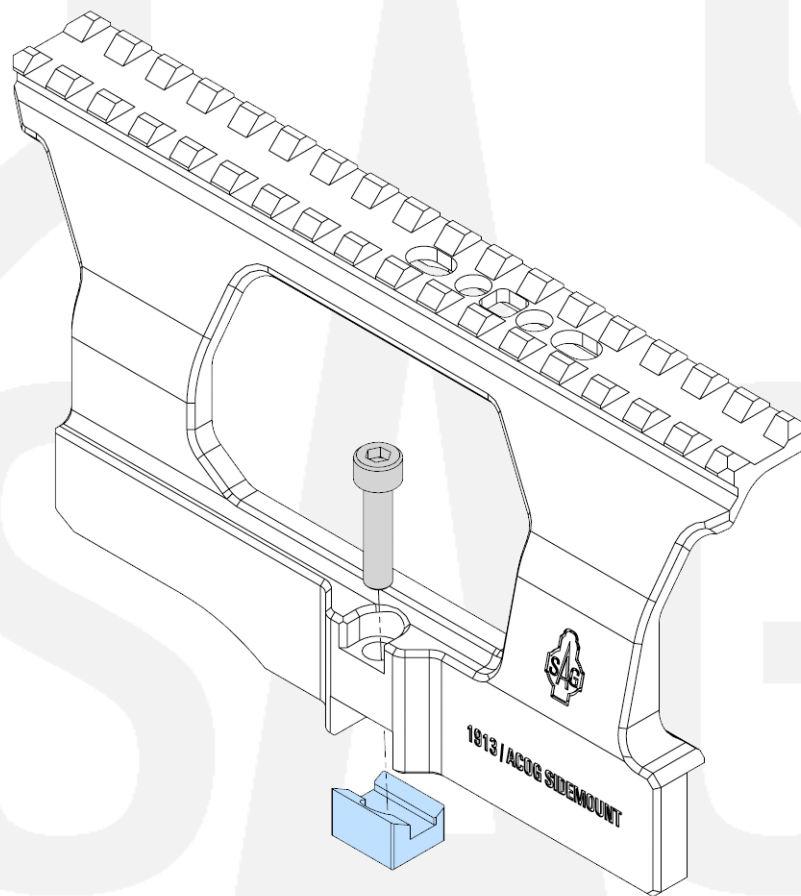
Sidemount for AK	3
Sidemount for AK QD	5
Sidemount for AK BIT	8
Sidemount for AK BIT QD	10
Sidemount for AK TAC	13
Sidemount for AK TAC QD	15

SIDEMOUNT FOR AK

Design

art.: S20016

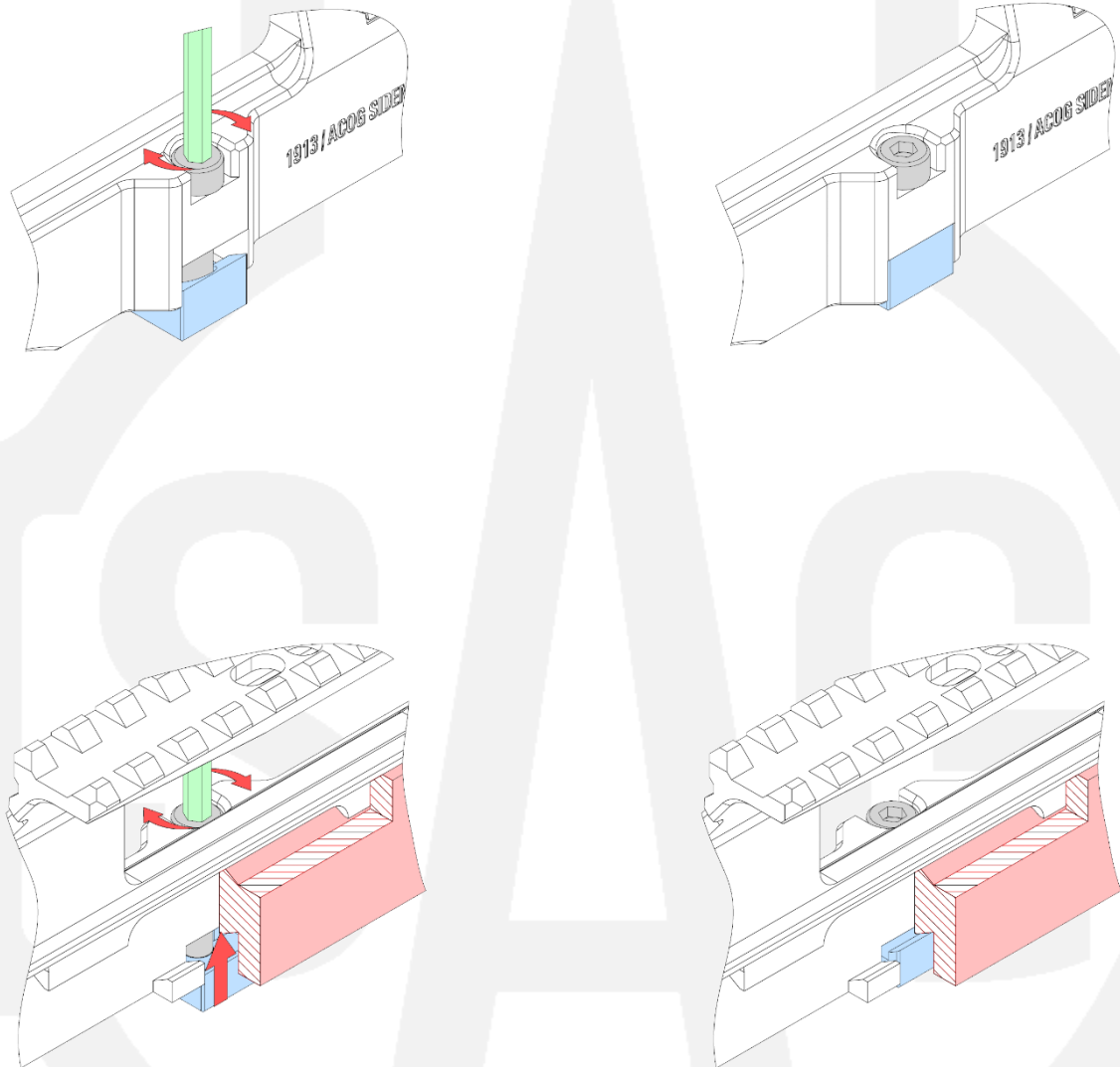
The locking mechanism consists of two parts:



- clamping bar
- M5 bolt

Mounting method

The sidemount is secured to the receiver side rail in this way:



■ clamping bar ■ M5 bolt ■ 4 mm hex key ■ side rail

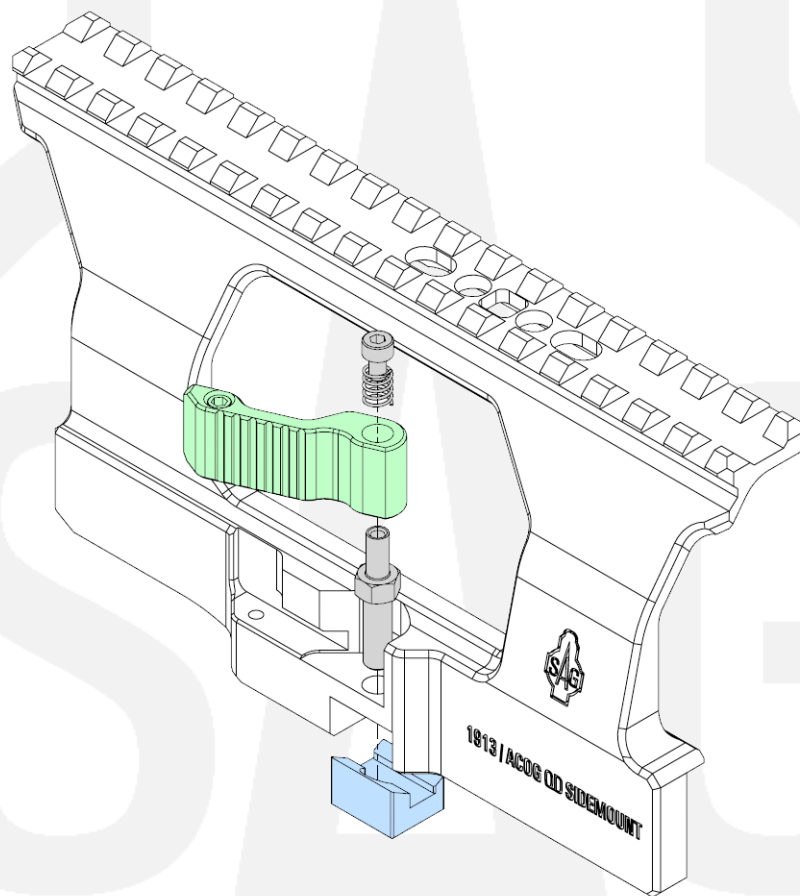
Tightening torque: 35 inch pounds (4 N·m)

SIDEMOUNT FOR AK QD

Design

art.: S20018

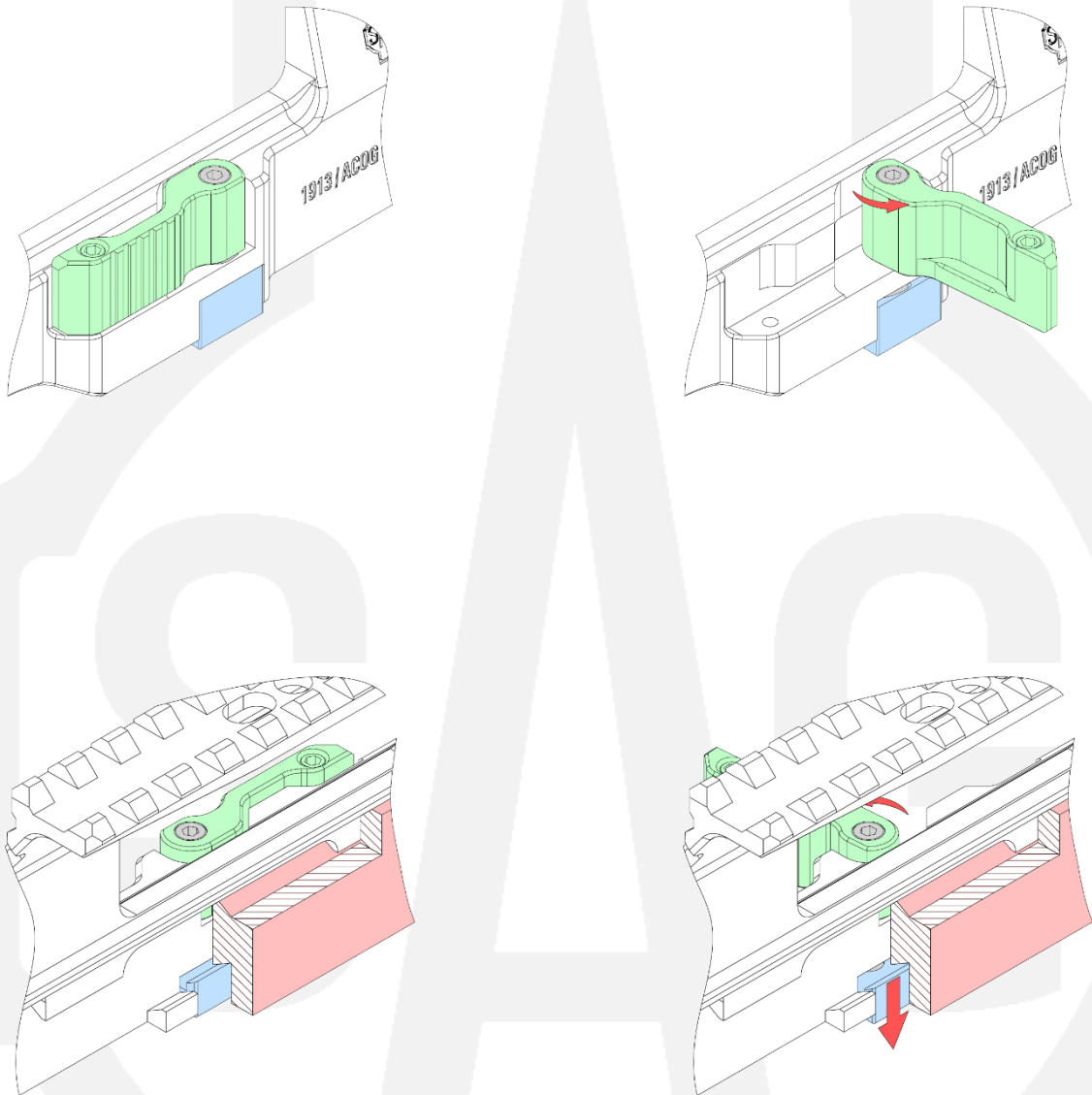
The locking mechanism consists of three parts:



■ rotating lever ■ clamping bar ■ proprietary locking bolt

Mounting method

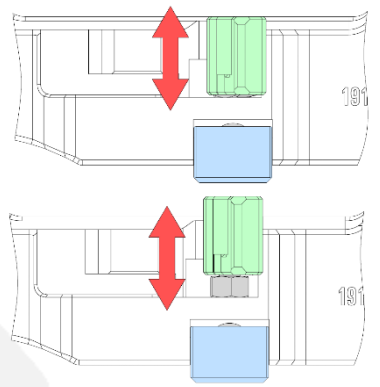
The sidemount is secured to the receiver side rail in this way:



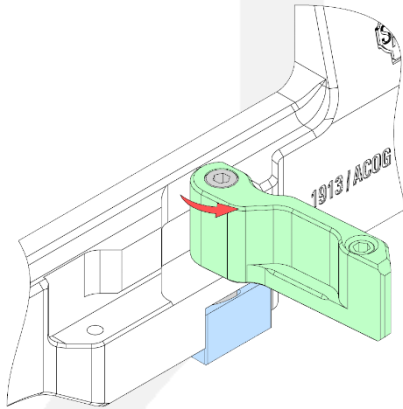
■ rotating lever ■ clamping bar ■ proprietary locking bolt ■ side rail

Adjustment

Adjusting mount tension:

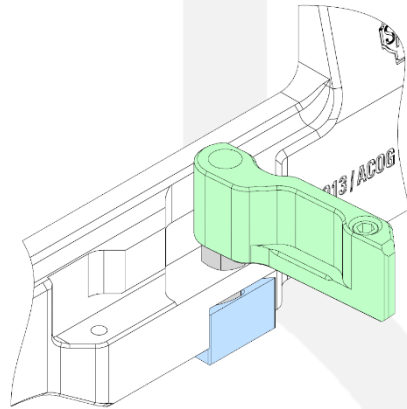


1. Open



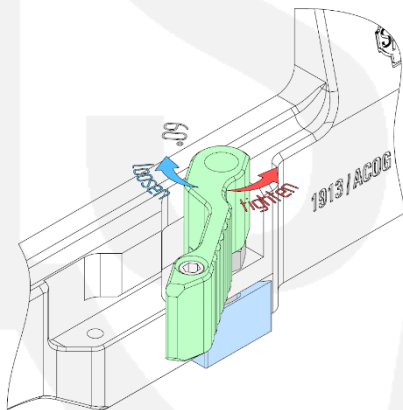
2. Elevate

(decoupling with the locking bolt)

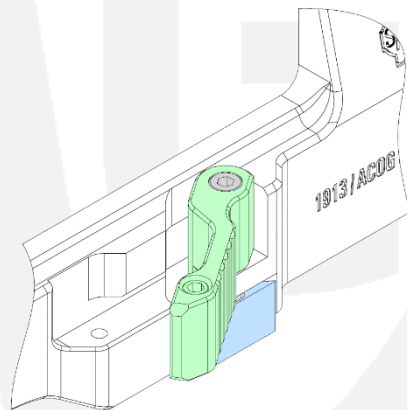


3. Rotate

(loosening/tightening the clamp)



4. Lock



- rotating lever
- clamping bar
- proprietary locking bolt

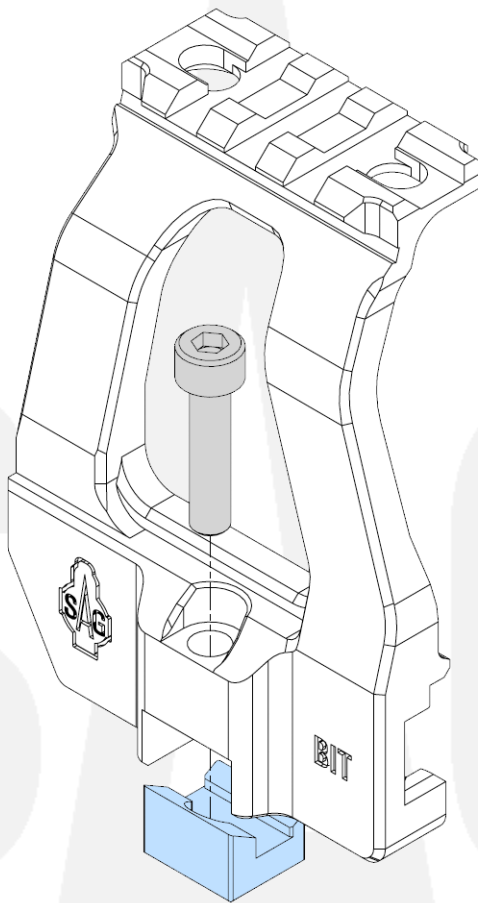
The lever acts like a spanner wrench.

SIDEMOUNT FOR AK BIT

Design

art.: S20019

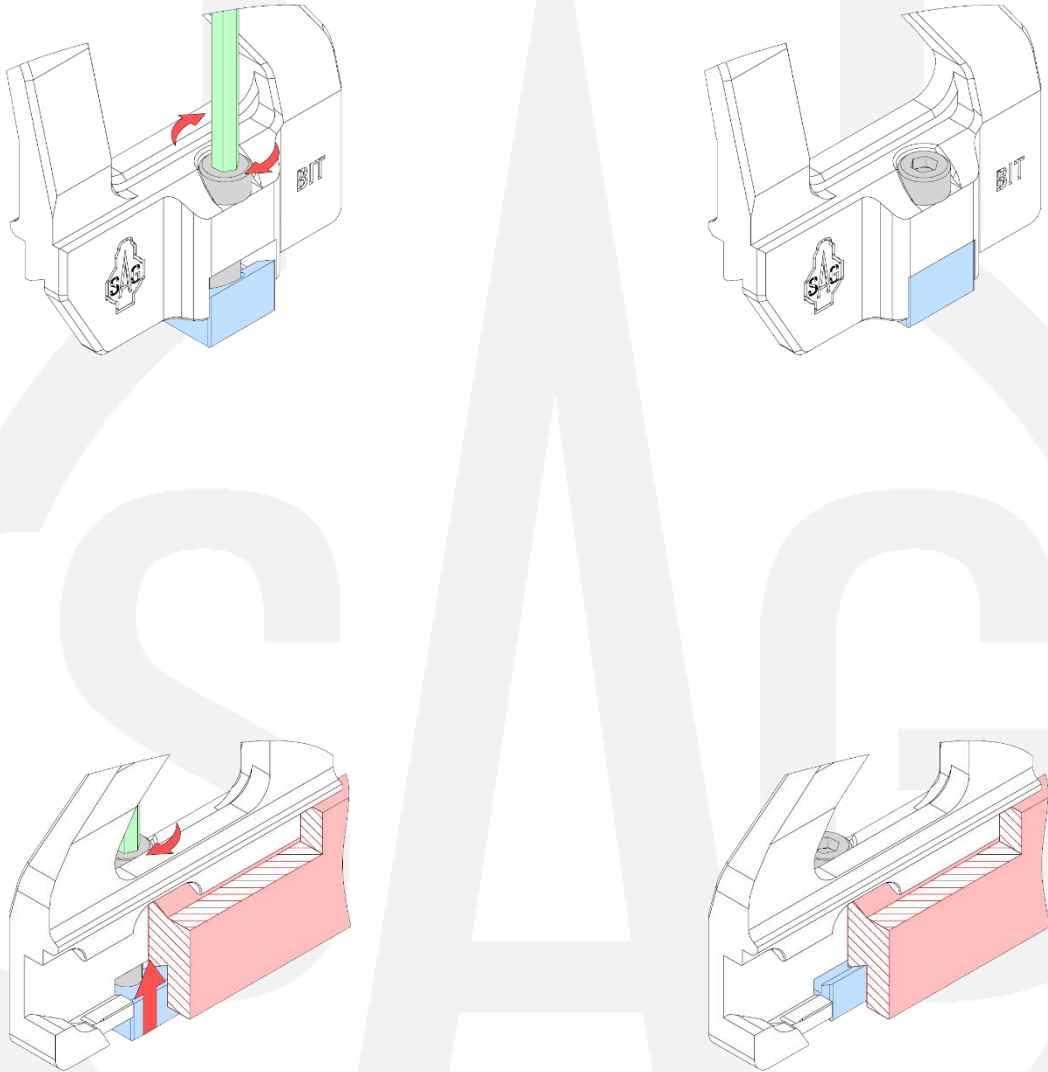
The locking mechanism consists of two parts:



■ clamping bar ■ M5 bolt

Mounting method

The sidemount is secured to the receiver side rail in this way:



■ clamping bar ■ M5 bolt ■ 4 mm hex key ■ side rail

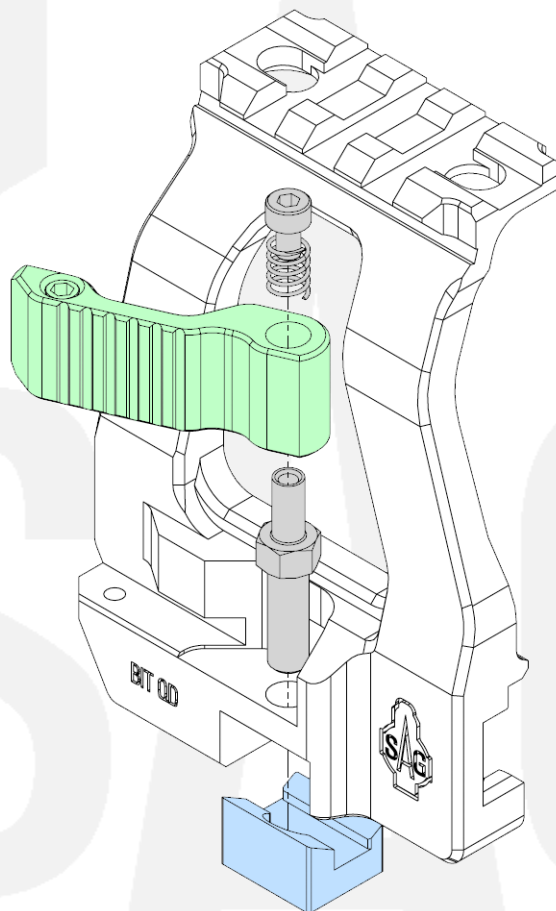
Tightening torque: 35 inch pounds (4 N·m)

SIDEMOUNT FOR AK BIT QD

Design

art.: S20073

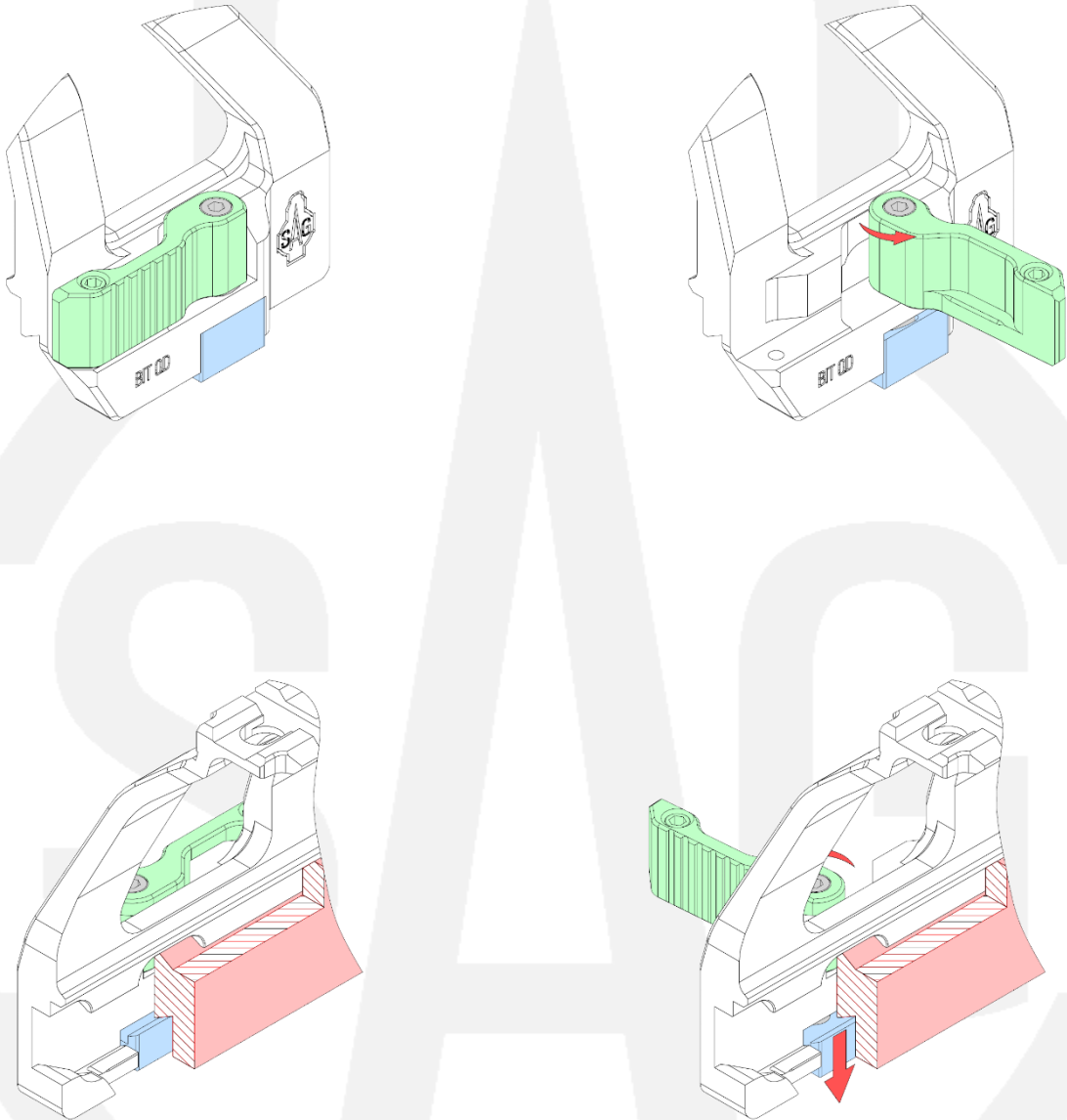
The locking mechanism consists of three parts:



■ rotating lever ■ clamping bar ■ proprietary locking bolt

Mounting method

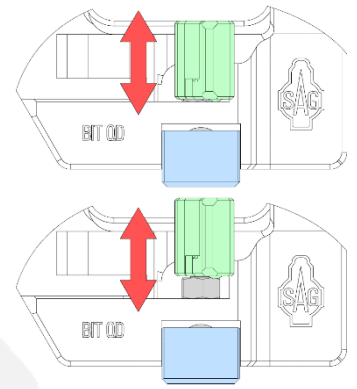
The sidemount is secured to the receiver side rail in this way:



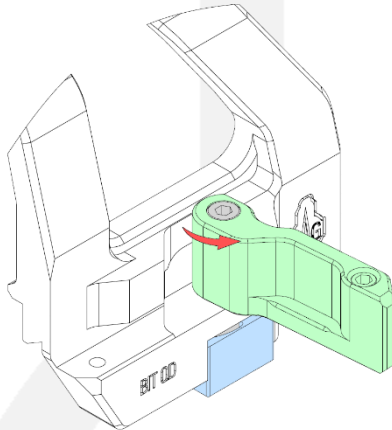
■ rotating lever ■ clamping bar ■ proprietary locking bolt ■ side rail

Adjustment

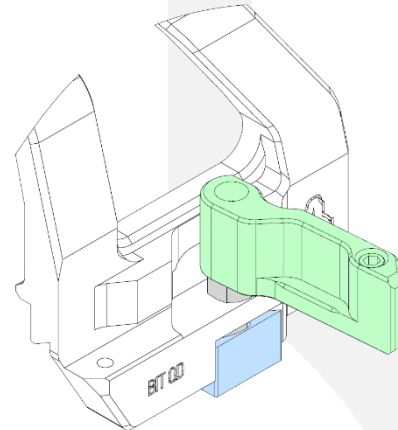
Adjusting mount tension:



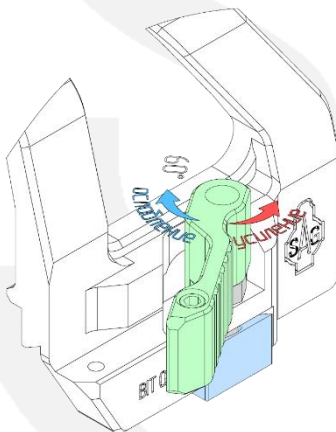
1. Open



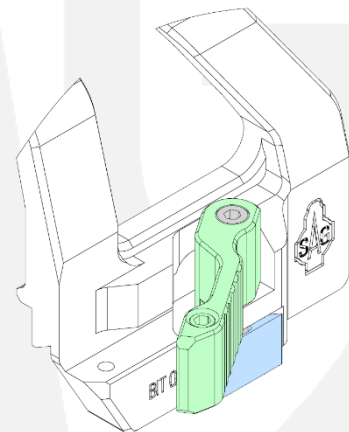
2. Elevate
(decoupling with the locking bolt)



3. Rotate
(loosening/tightening the clamp)



4. Lock



- rotating lever
- clamping bar
- proprietary locking bolt

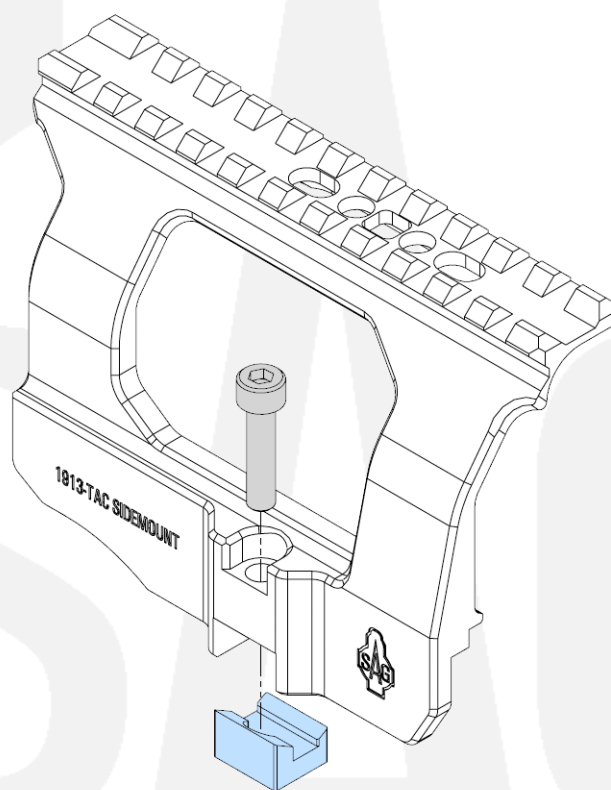
The lever acts like a spanner wrench.

SIDEMOUNT FOR AK TAC

Design

art.: S20129

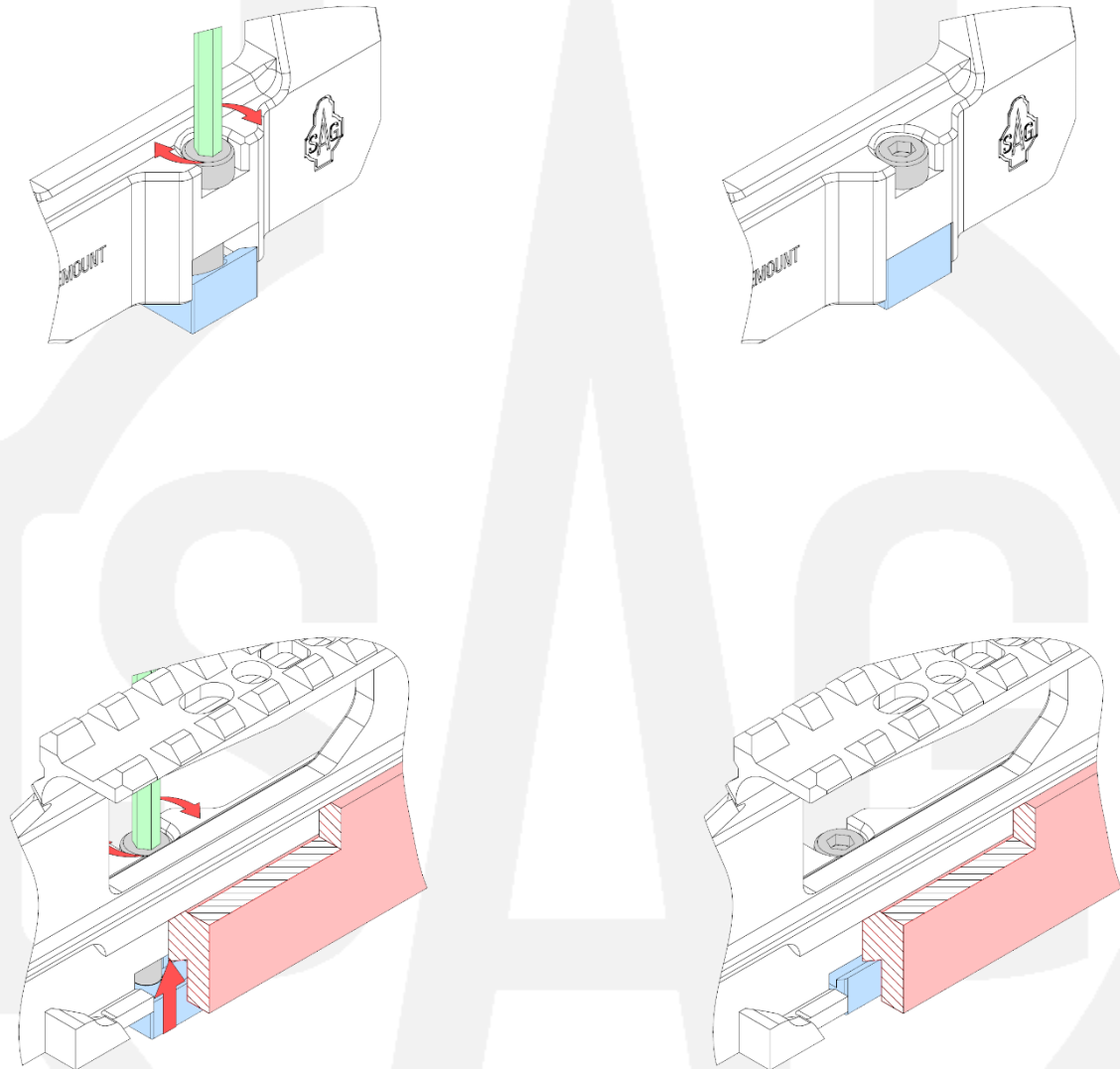
The locking mechanism consists of two parts:



■ clamping bar ■ M5 bolt

Mounting method

The sidemount is secured to the receiver side rail in this way:



■ clamping bar ■ M5 bolt ■ 4 mm hex key ■ side rail

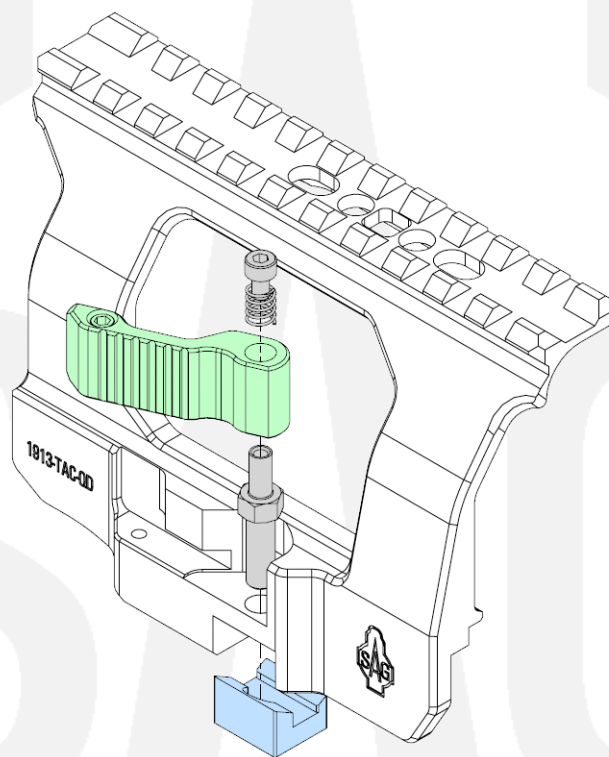
Tightening torque: 35 inch pounds (4 N·m)

SIDEMOUNT FOR AK TAC QD

Design

art.: S20128

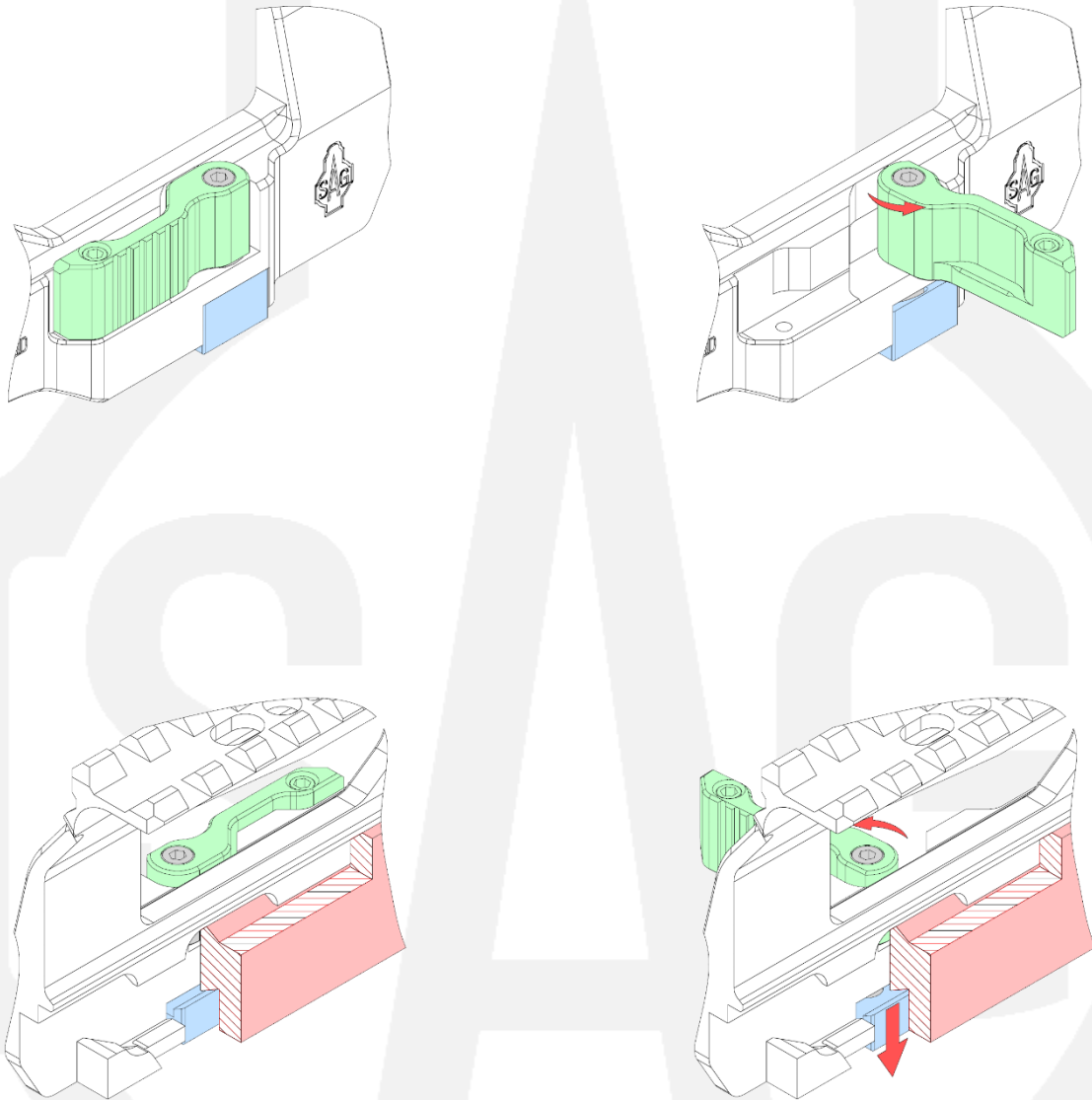
The locking mechanism consists of three parts:



■ rotating lever ■ clamping bar ■ proprietary locking bolt

Mounting method

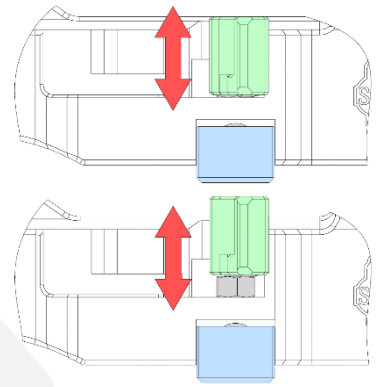
The sidemount is secured to the receiver side rail in this way:



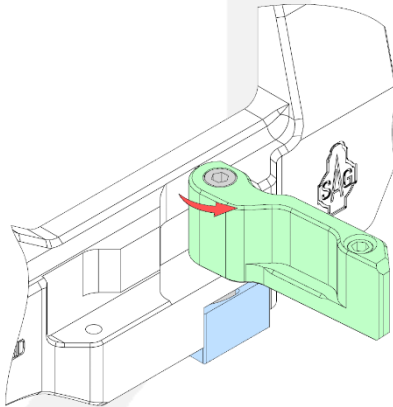
■ rotating lever ■ clamping bar ■ proprietary locking bolt ■ side rail

Adjustment

Adjusting mount tension:

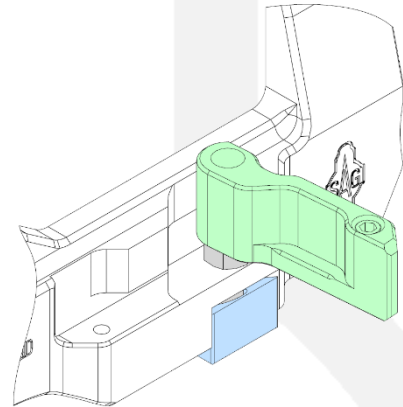


1. Open



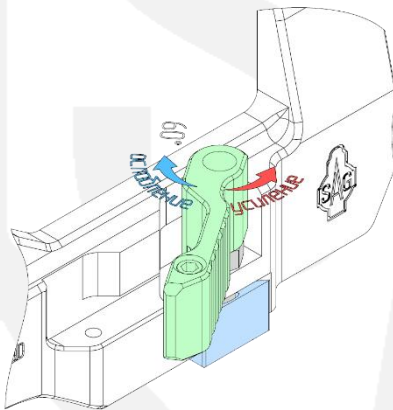
2. Elevate

(decoupling with the locking bolt)

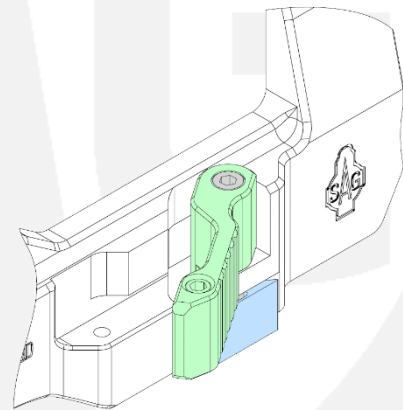


3. Rotate

(loosening/tightening the clamp)



4. Lock



- rotating lever
- clamping bar
- proprietary locking bolt

The lever acts like a spanner wrench.



Distributed by

NOVI PARTIZAN SAG doo Beograd
11050 Beograd (Zvezdara), Vojvode Šupljikca 11A
Website: www.novi-partizan.com
E-mail: ceo@novi-partizan.com
Phone: +381645963472

