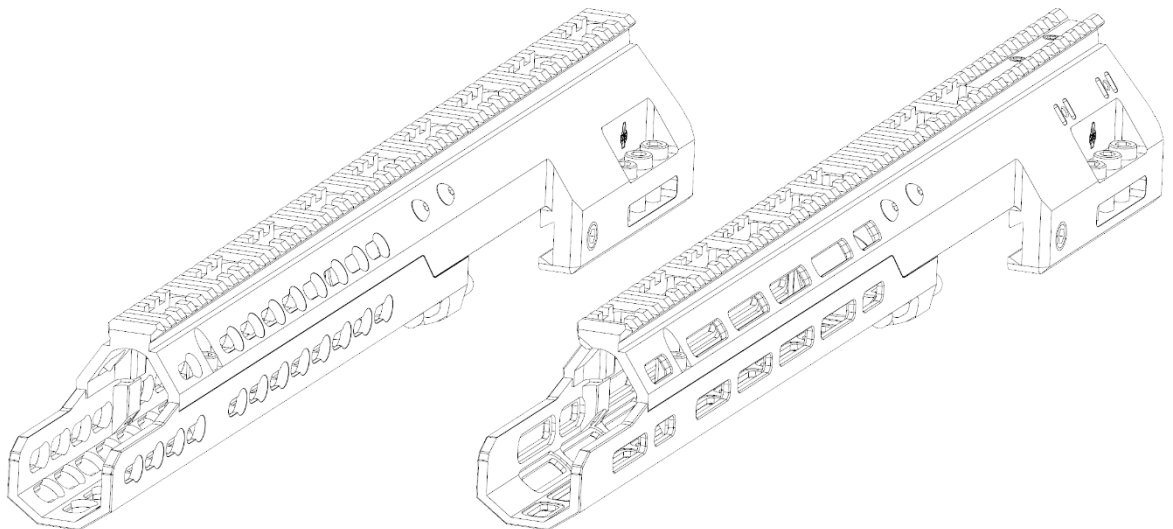


MANUAL



SURESHOT ARMAMENT

SVD CHASSIS



Sureshot Armament Group, 2025

sureshot-armament.com

Contents

Design	3
Installation instructions	4

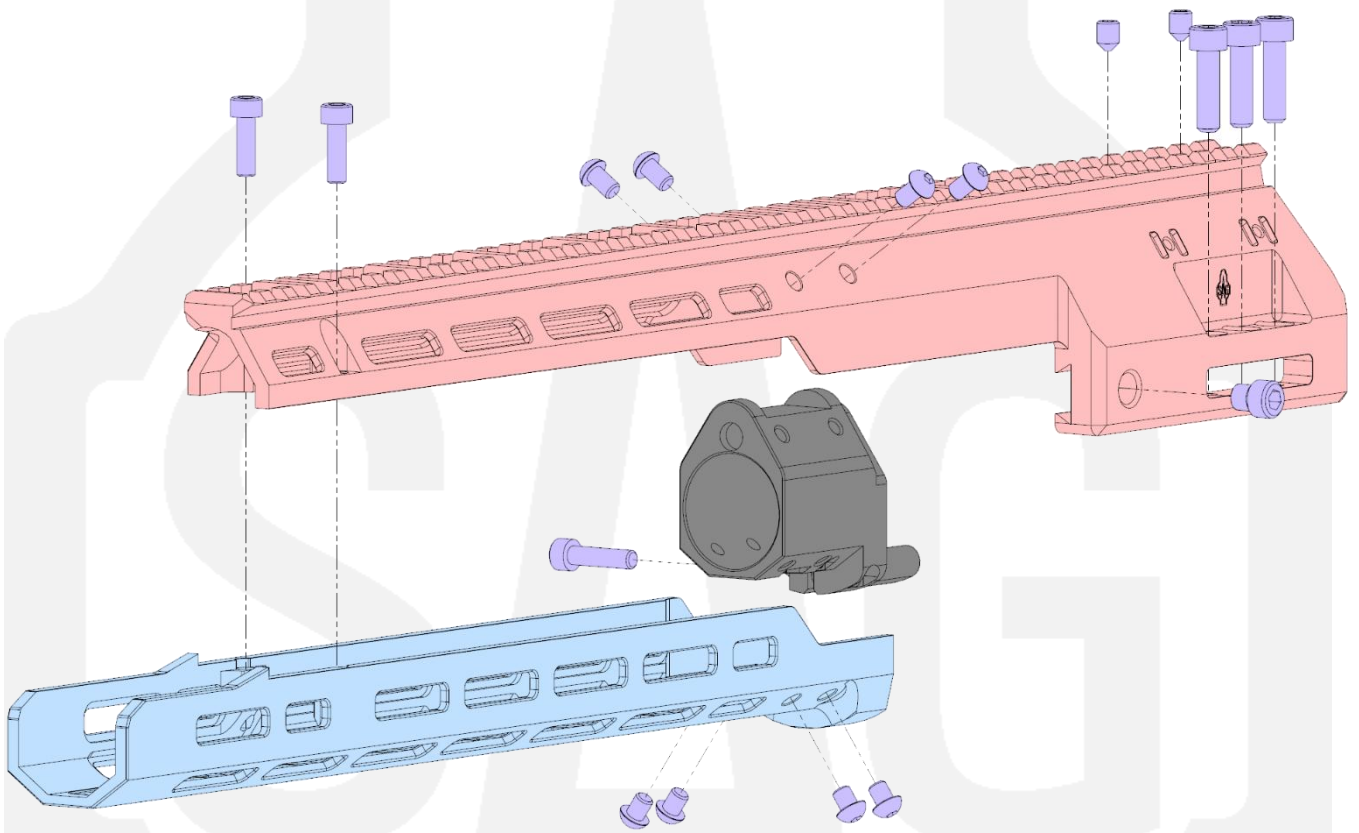


SVD CHASSIS

Design

art.: S20033
S20051

The assembly consists of the following parts:

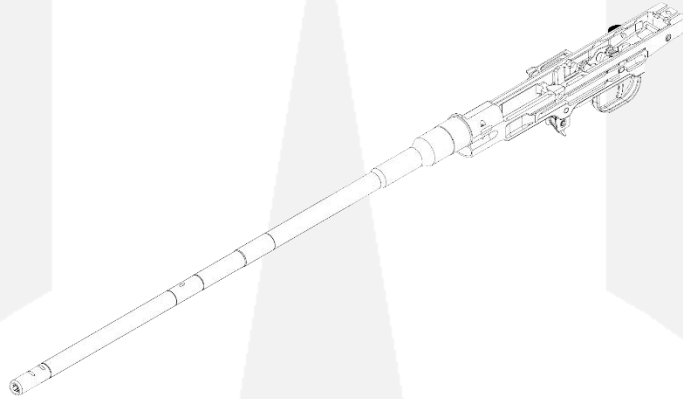


- upper rail
- lower handguard
- mount
- screws

Installation instructions

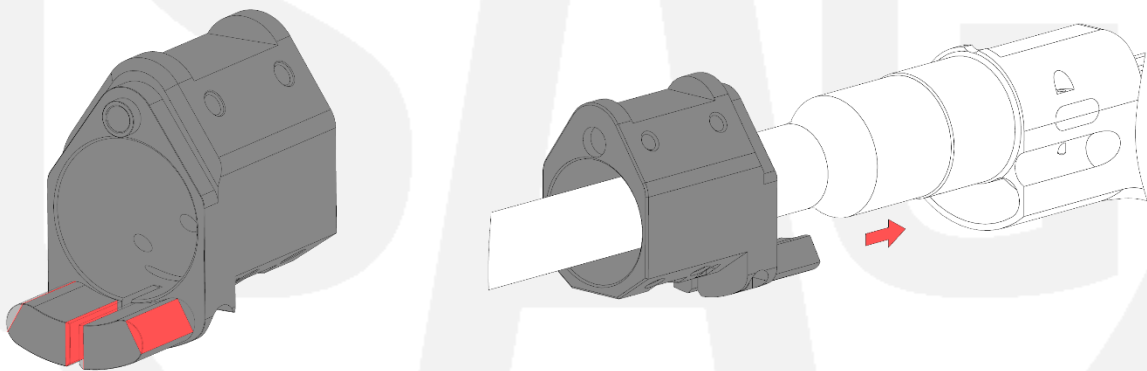
I. Install the mount:

1. Prepare your firearm: remove the front sight block, gas chamber block, handguard, rear sight block, dust cover, recoil spring, bolt carrier group



WARNING! Make sure your firearm is unloaded and safe before beginning any procedures! Your safety is *your* responsibility!

2. Install the mount; modify as shown if necessary

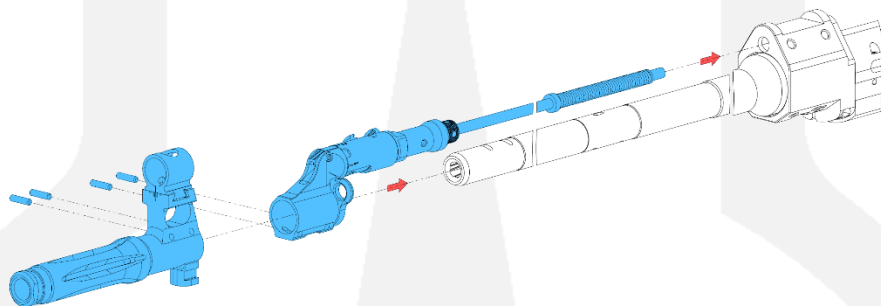


SUGGESTION: Use the two-part metal to metal epoxy adhesive. The mount is the main load-bearing element of the chassis.

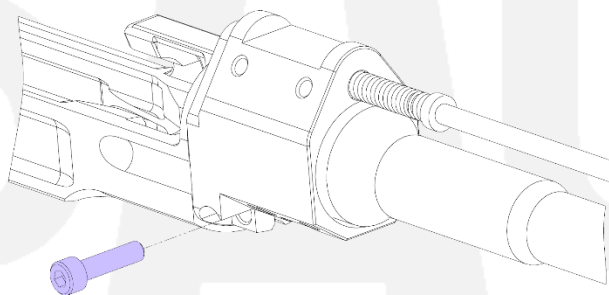
■ mount

II. Secure the mount:

3. Reinstall the the front sight block and the gas chamber block



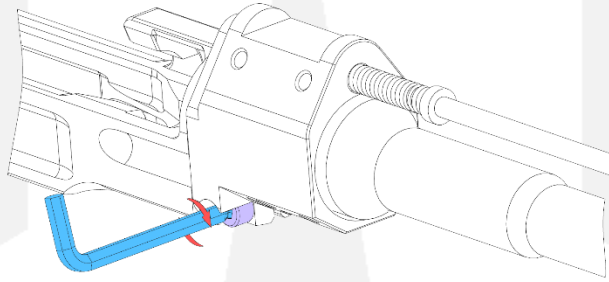
4. Apply thread locker and secure the mount with screw until stop



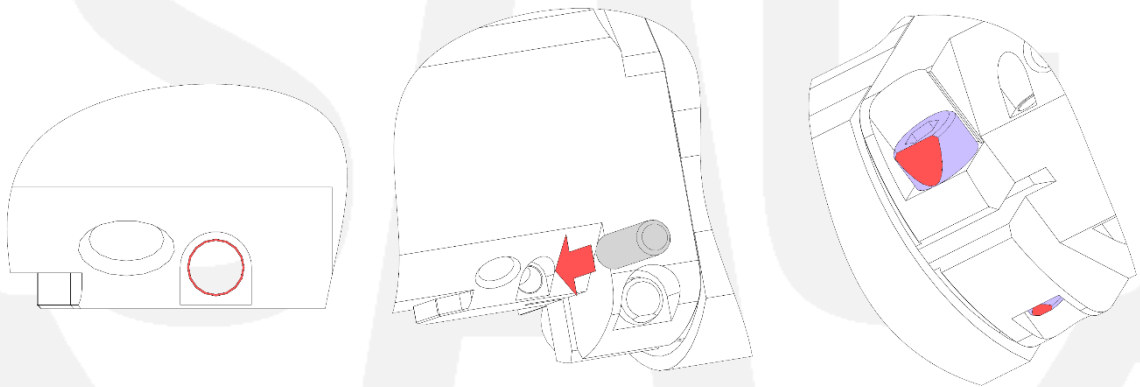
■ screw ■ front sight block, gas chamber block

III. Secure the mount and install the upper rail:

5. Tighten the screw to 65 inch pounds (9 N·m)



6*. Recommended: bore out the hole in the mount and pin it with the rear sight housing pin; file down the mount screw to fit



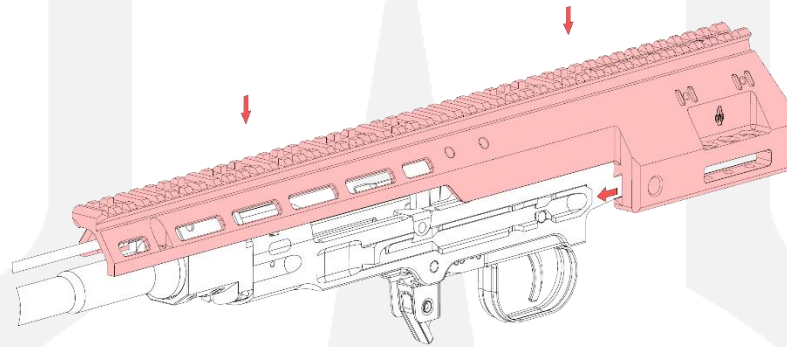
SUGGESTION: The bore diameter should be 0,05 mm smaller than the pin diameter.

■ screw □ the rear sight housing pin

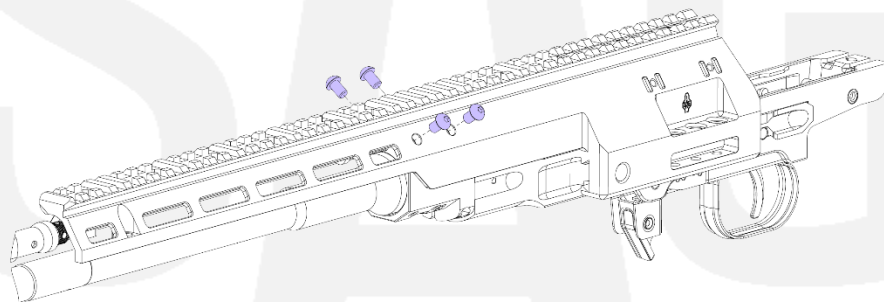
* For gunsmiths only

IV. Secure the upper rail:

7. Install the upper rail



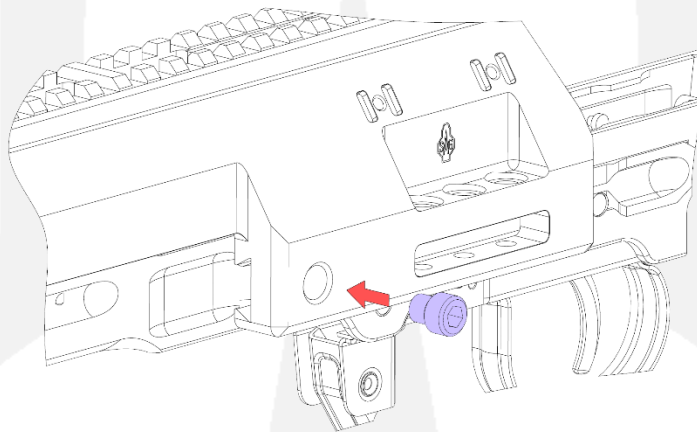
8. Secure the upper rail to the mount: screw in all the screws to the stop, tighten to 30 inch pounds (3,5 N·m)



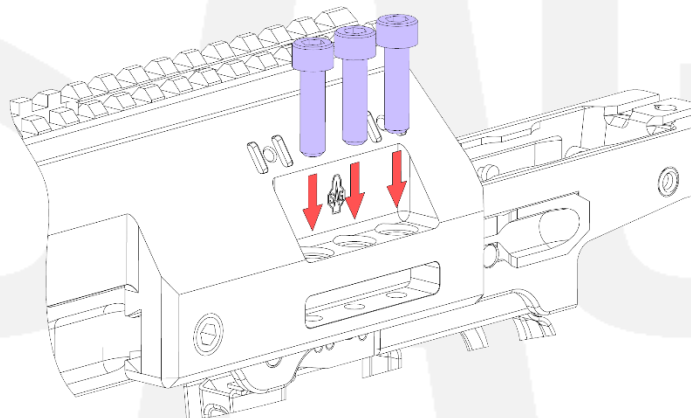
■ upper rail ■ screws

V. Secure the upper rail:

9. Modify the set screw to fit and screw in until stop



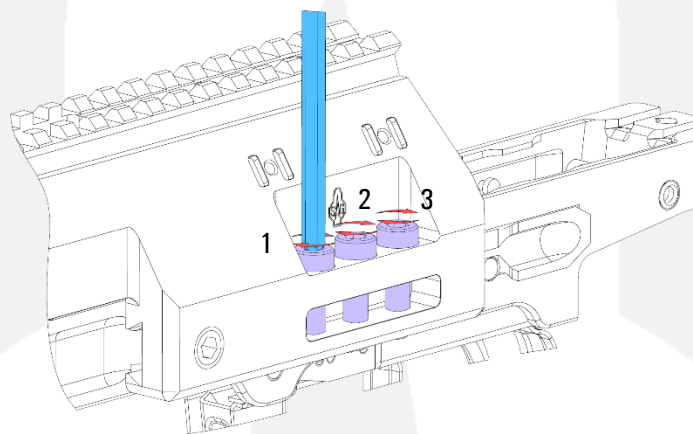
10. Screw in the screws until stop



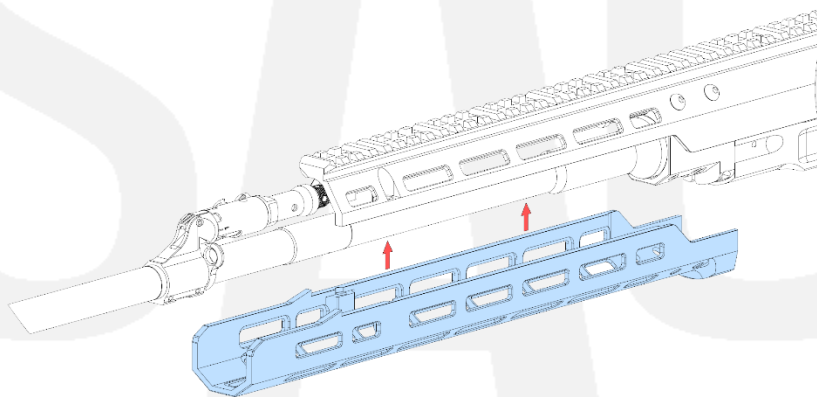
■ screws

VI. Install and secure the lower handguard:

11. Tighten selected screws in specified order to 35 inch pounds (4 N·m)



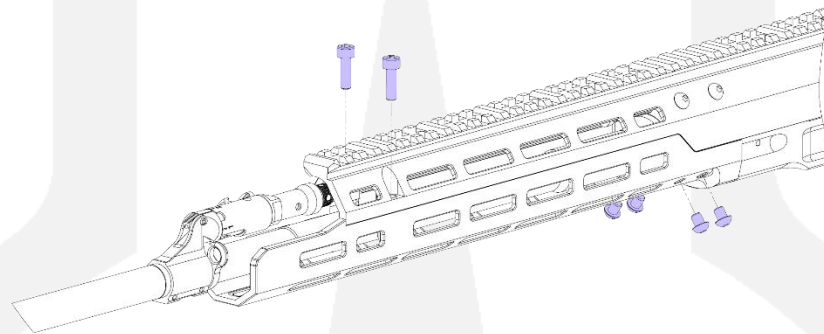
12. Install the lower handguard



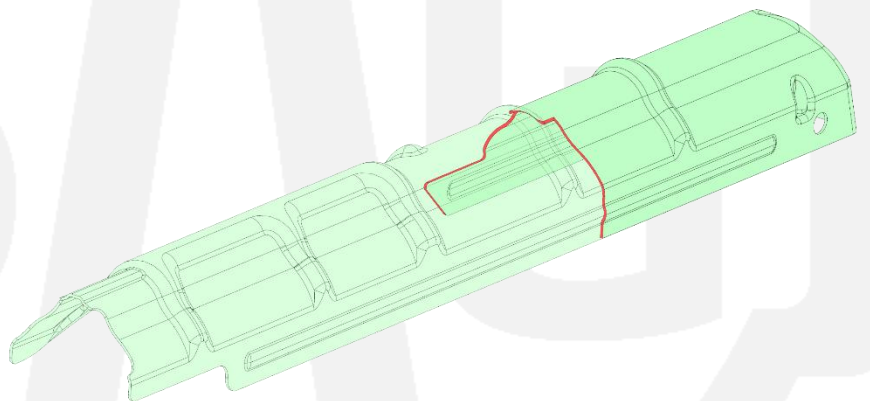
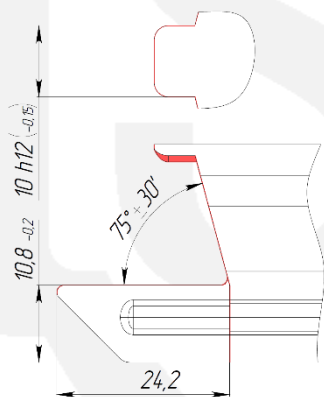
■ screws ■ lower handguard

VII. Reinstall the bolt carrier group, recoil spring and dust cover:

13. Secure the lower handguard: screw in all the screws to the stop, tighten to 30 inch pounds (3,5 N·m)



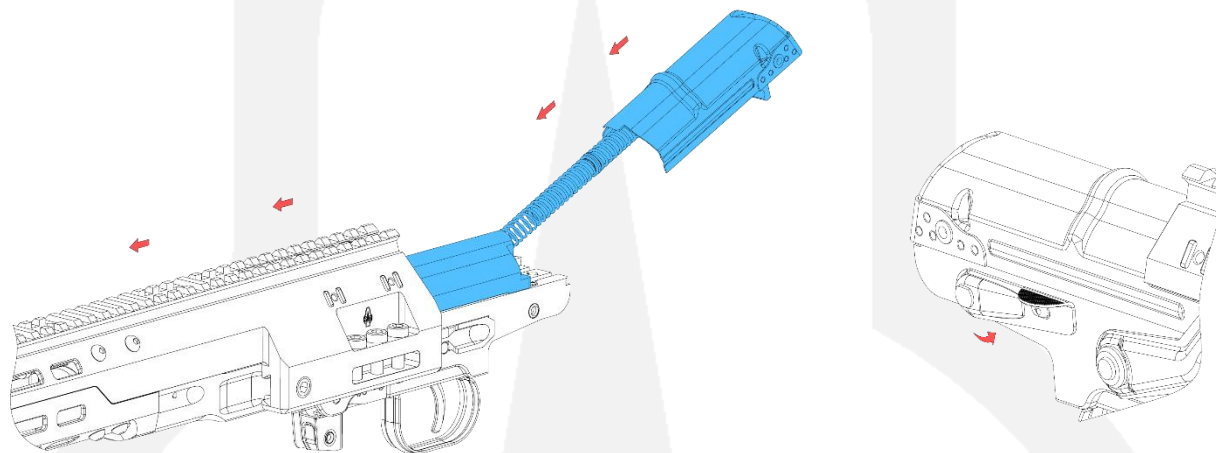
14. Adjust the original dust cover to the upper rail as shown



■ screws ■ dust cover

VII. Reinstall the bolt carrier group, recoil spring and dust cover:

15. Reinstall the bolt carrier group, recoil spring and dust cover



■ bolt carrier group, recoil spring and dust cover



Distributed by

NOVI PARTIZAN SAG doo Beograd
11050 Beograd (Zvezdara), Vojvode Šupljikca 11A
Website: www.novi-partizan.com
E-mail: ceo@novi-partizan.com
Phone: +381645963472

