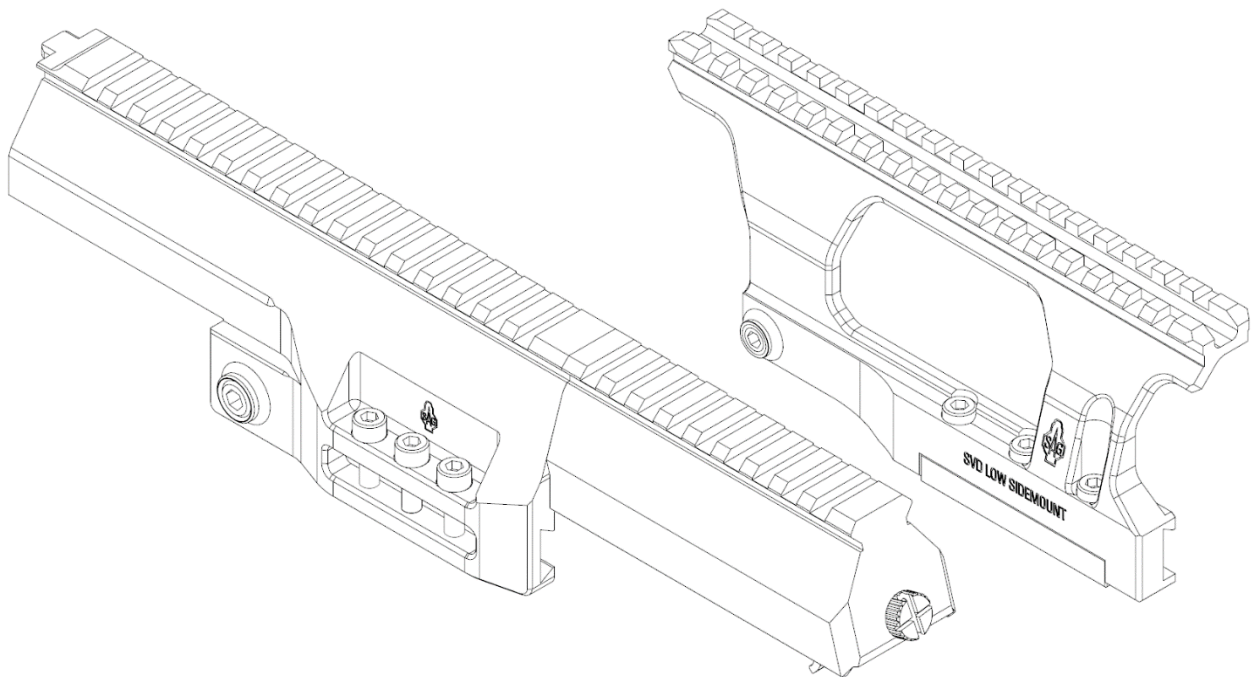


MANUAL



SURESHOT ARMAMENT

SVD SIDEMOUNTS



Sureshot Armament Group, 2024

sureshot-armament.com

Contents

Sidemount for SVD high 3

Sidemount for SVD low 5

Sidemount-cover for SVD 7

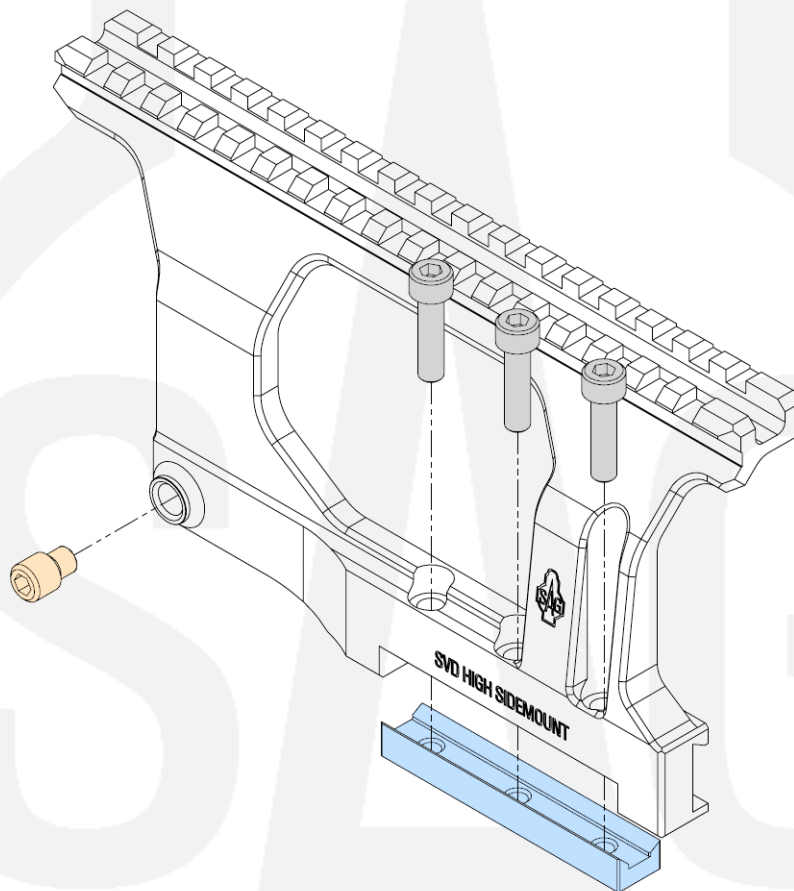


SIDEMOUNT FOR SVD HIGH

Design

art.: S20020

The locking mechanism consists of three parts:

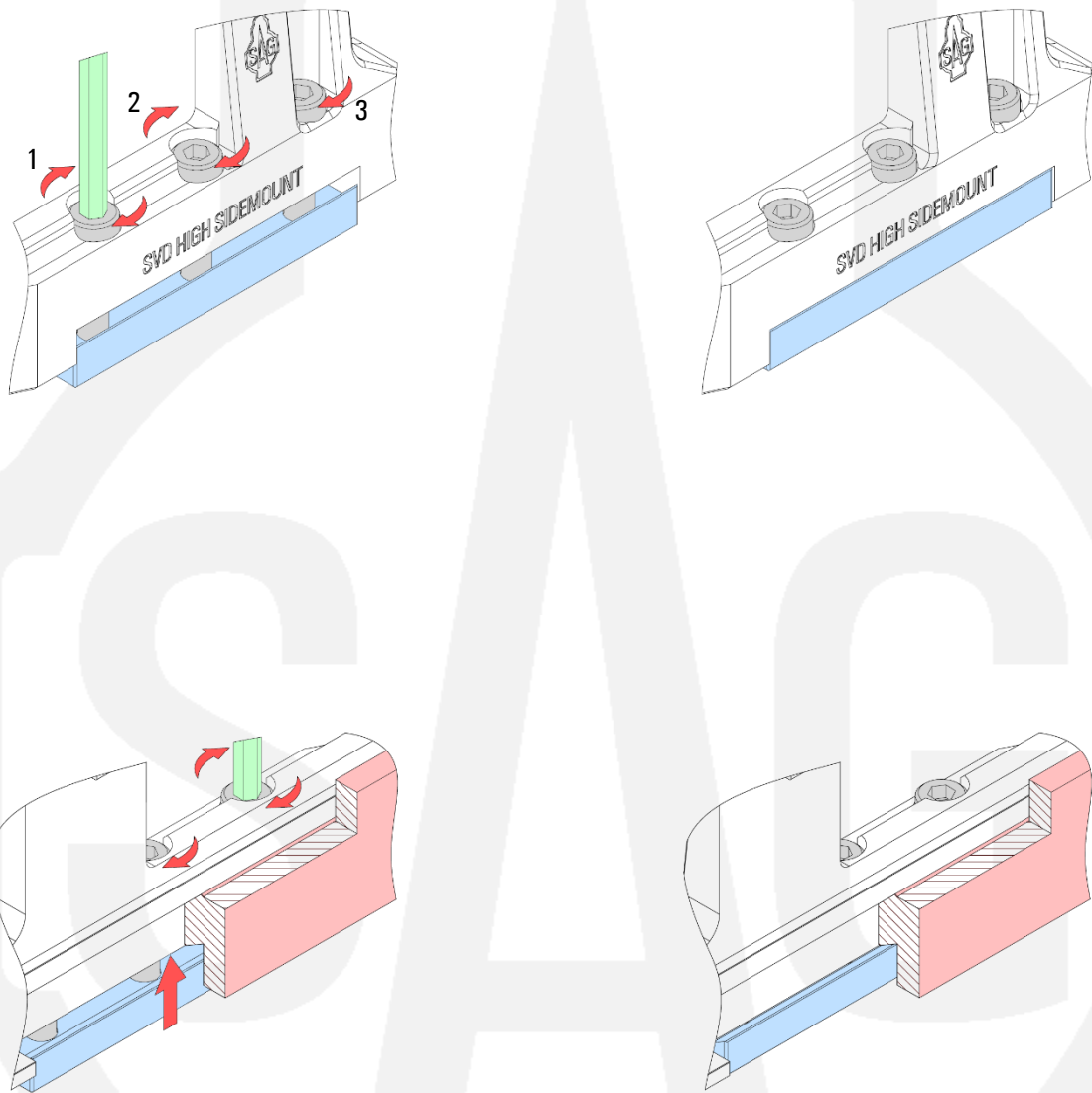


■ clamping bar ■ M5 bolt ■ locking screw M8*

* screw in slightly until touching the receiver

Mounting method

The sidemount is secured to the receiver side rail in this way:



■ clamping bar ■ M5 bolt ■ 4 mm hex key ■ side rail

Tightening torque: 35 inch pounds (4 N·m)

All screws must be tightened in specified order with equal torque in two steps:

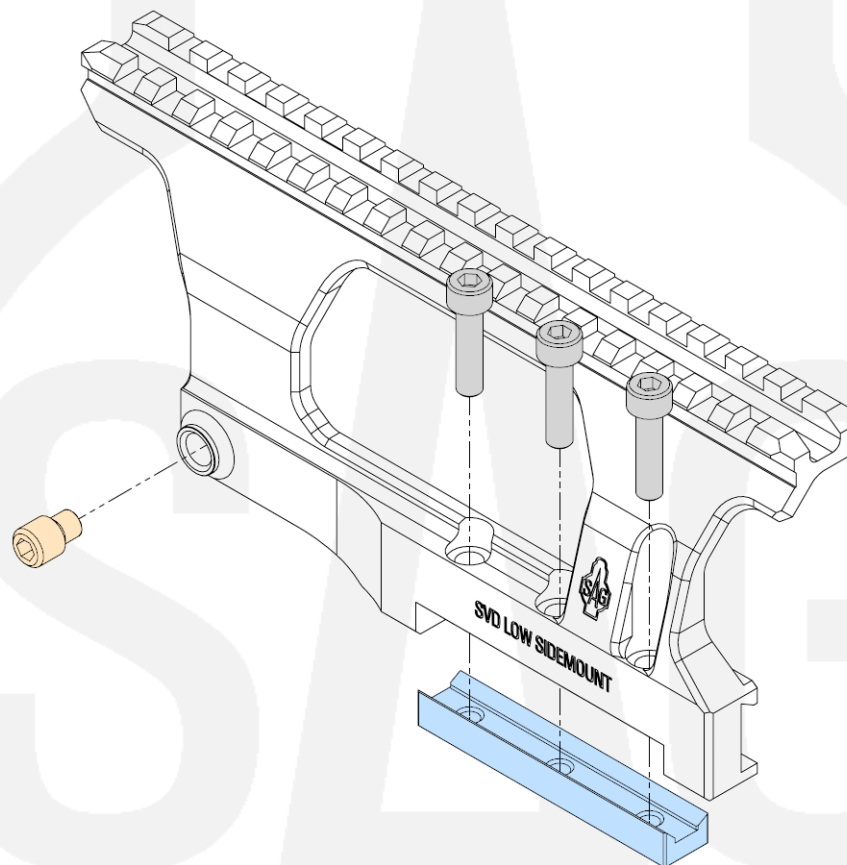
1. To the stop.
2. To the specified torque value.

SIDEMOUNT FOR SVD LOW

Design

art.: S20021

The locking mechanism consists of three parts:

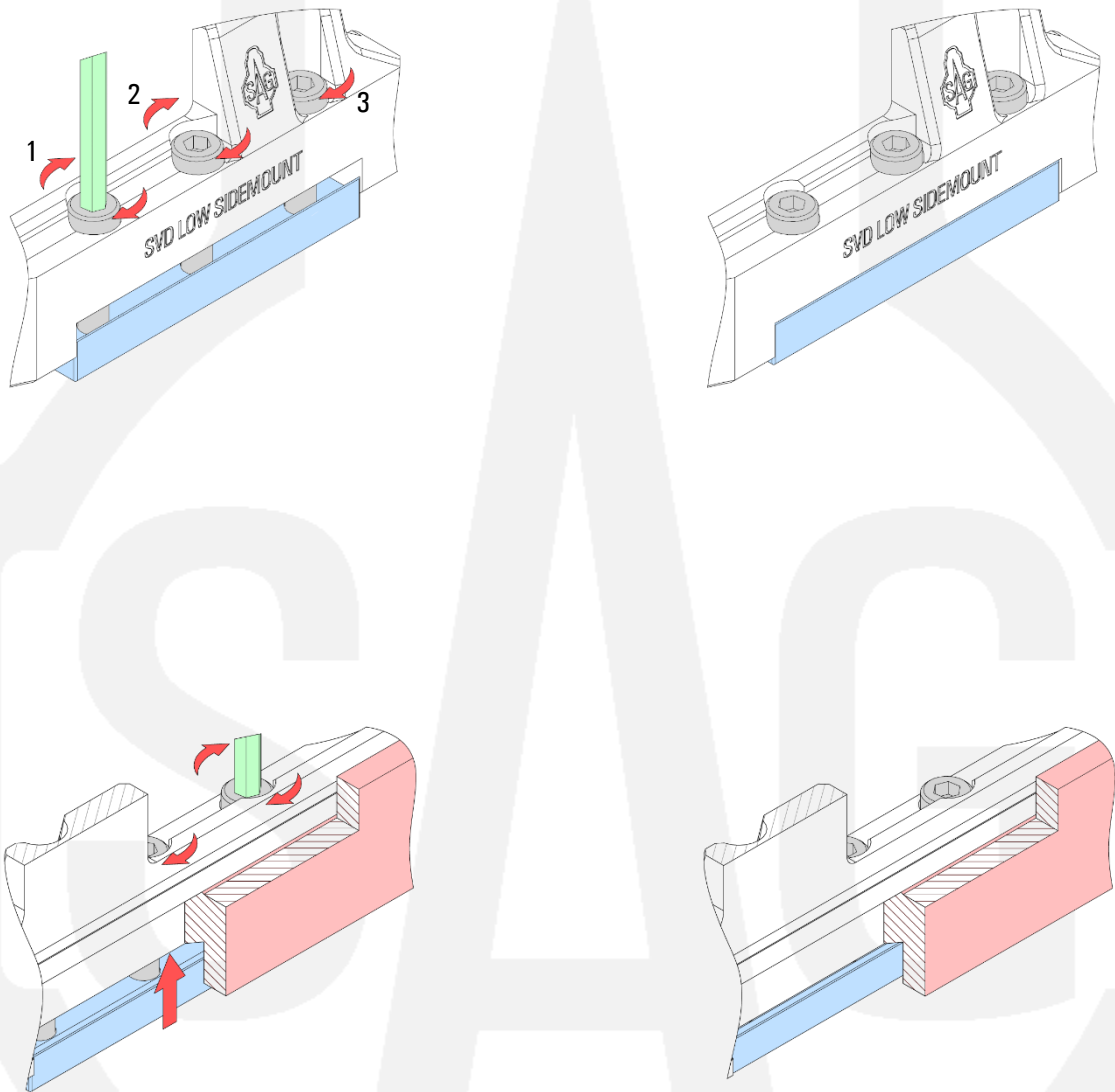


■ clamping bar ■ M5 bolt ■ locking screw M8*

* screw in slightly until touching the receiver

Mounting method

The sidemount is secured to the receiver side rail in this way:



■ clamping bar ■ M5 bolt ■ 4 mm hex key ■ side rail

Tightening torque: 35 inch pounds (4 N·m)

All screws must be tightened in specified order with equal torque in two steps:

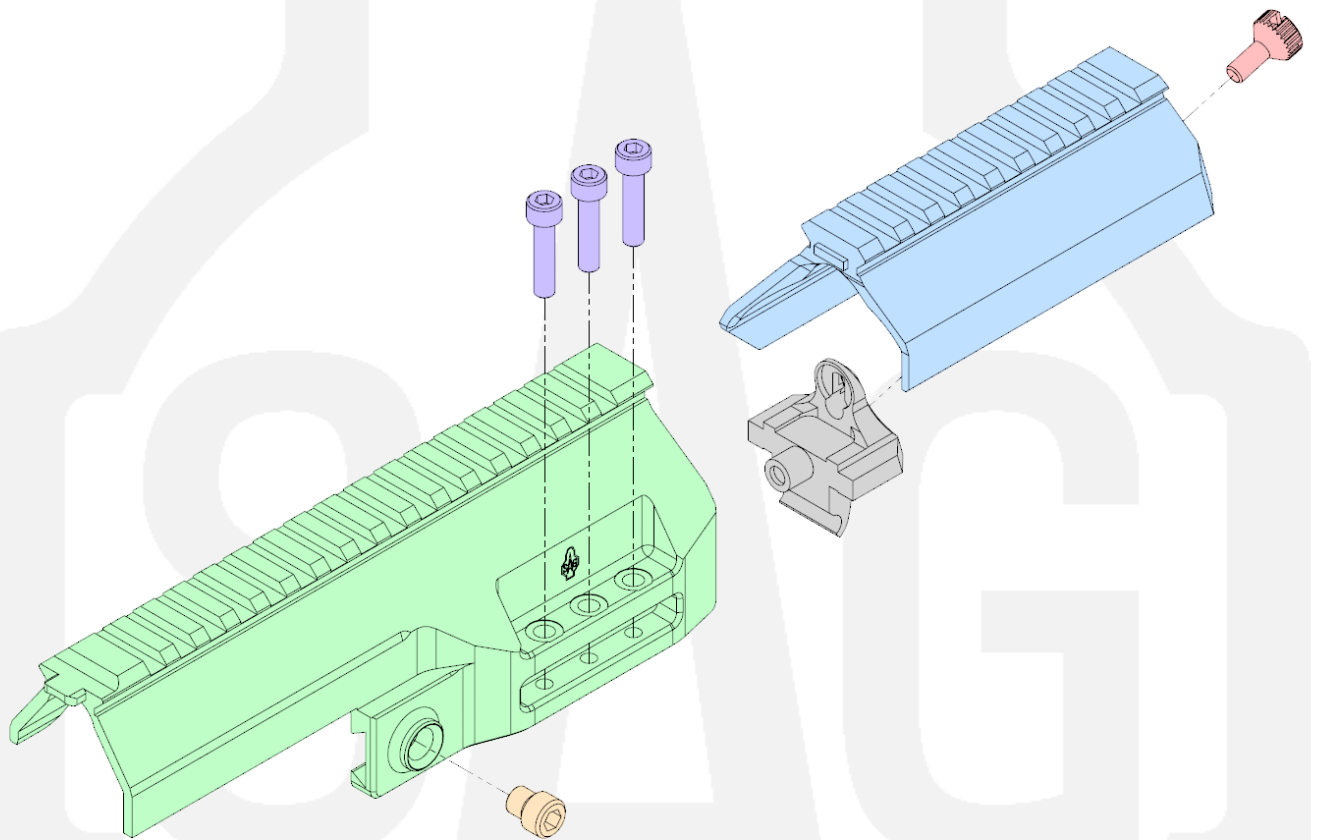
1. To the stop.
2. To the specified torque value.

SIDEMOUNT-COVER FOR SVD

Design

art.: S20075

The assembly consists of the following parts:

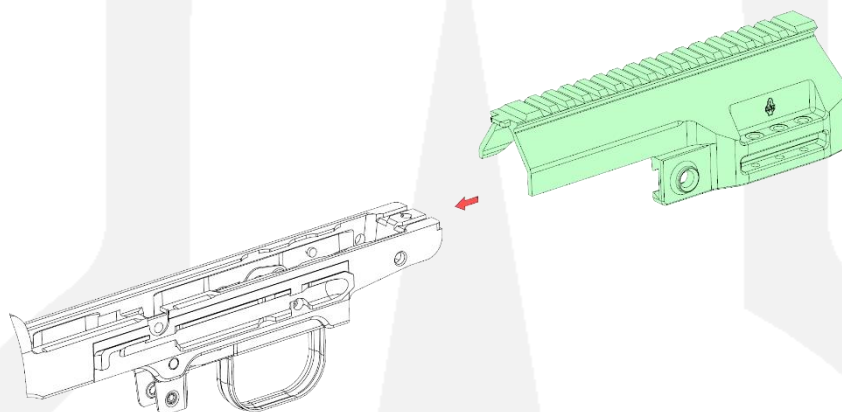


- sidemount-cover
- dust cover
- mount
- locking bolt
- screws
- locking screw M10

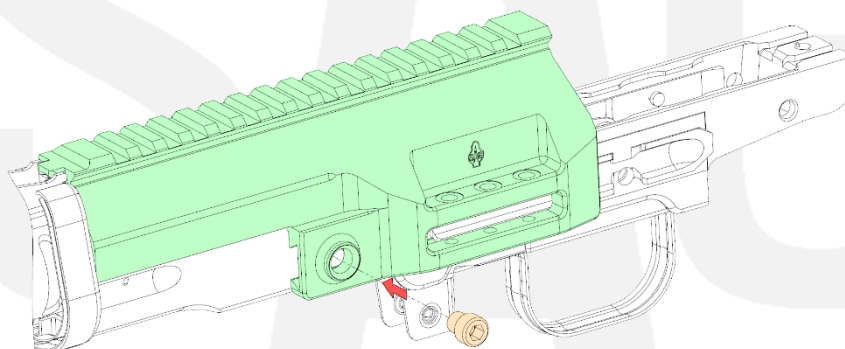
Installation instructions

I. Install the sidemount-cover:

1. Install the sidemount-cover



2. Screw in the locking screw slightly until touching the receiver

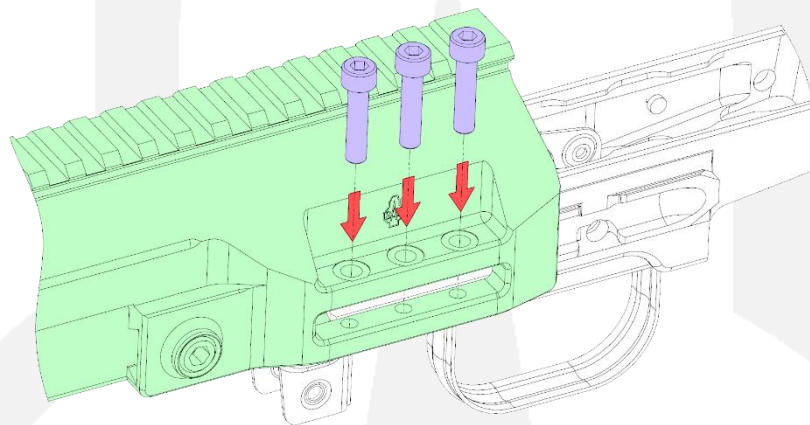


■ sidemount-cover ■ locking screw M10

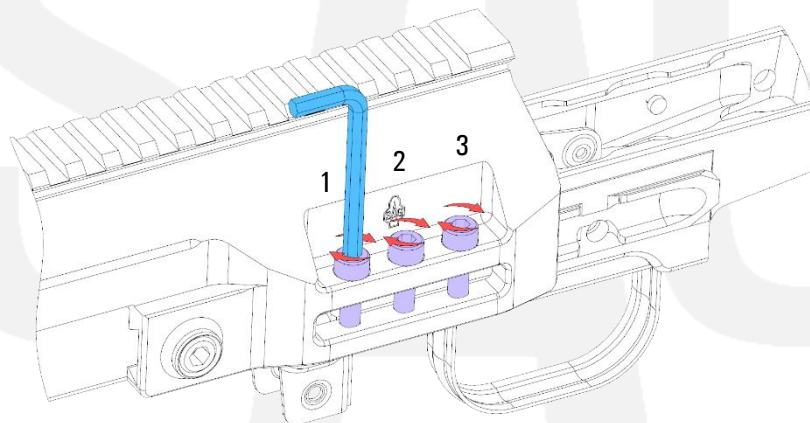
Installation instructions

II. Secure the sidemount-cover:

3. Screw in the screws to the stop



4. Tighten selected screws in specified order to 35 inch pounds (4 N·m)

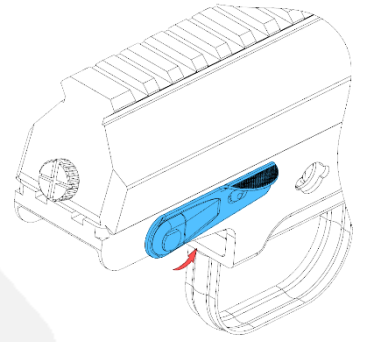


■ sidemount-cover ■ screws

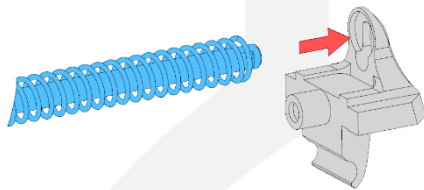
■ 4 mm hex key

Installation instructions

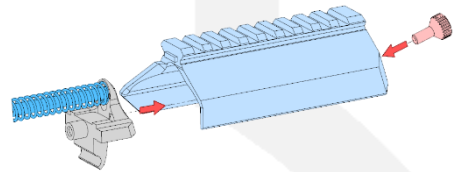
III. Assemble and install the dust cover:



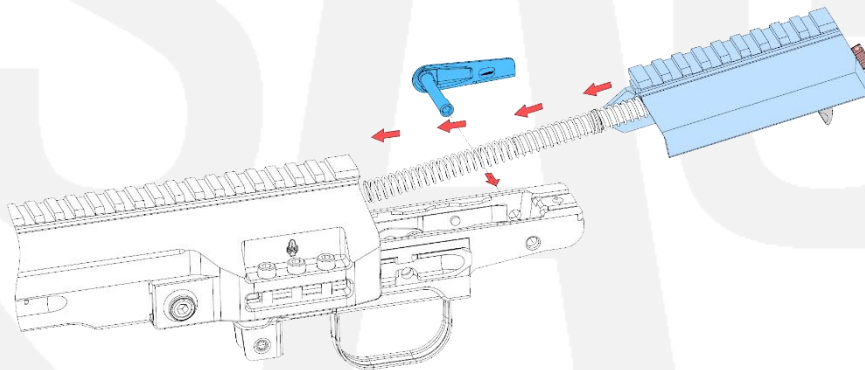
5. Connect recoil spring to the mount



6. Secure the dust cover using the locking bolt
WARNING! Finger-tighten, do not make too snug!



7. Install and secure with cover axle pin



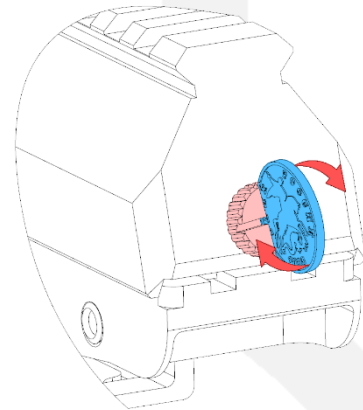
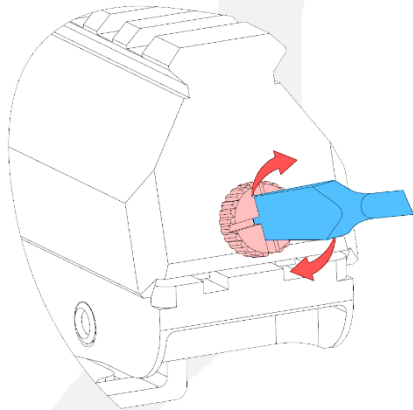
- dust cover ■ mount ■ locking bolt
- recoil spring / cover axle pin

Installation instructions

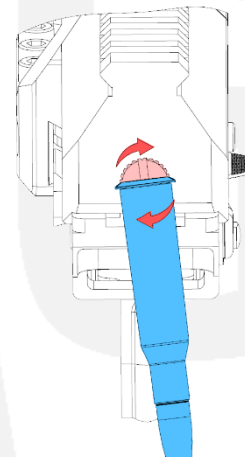
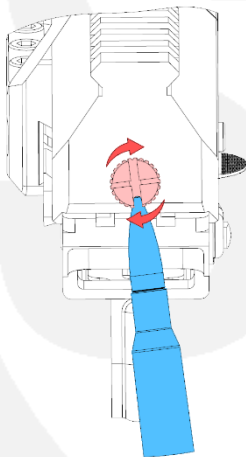
IV. Tighten the locking bolt in one of these ways:

Screwdriver

Coin



7.62 × 54 ammo



■ locking bolt

■ tightening tool



Distributed by

NOVI PARTIZAN SAG doo Beograd
11050 Beograd (Zvezdara), Vojvode Šupljikca 11A
Website: www.novi-partizan.com
E-mail: ceo@novi-partizan.com
Phone: +381645963472

