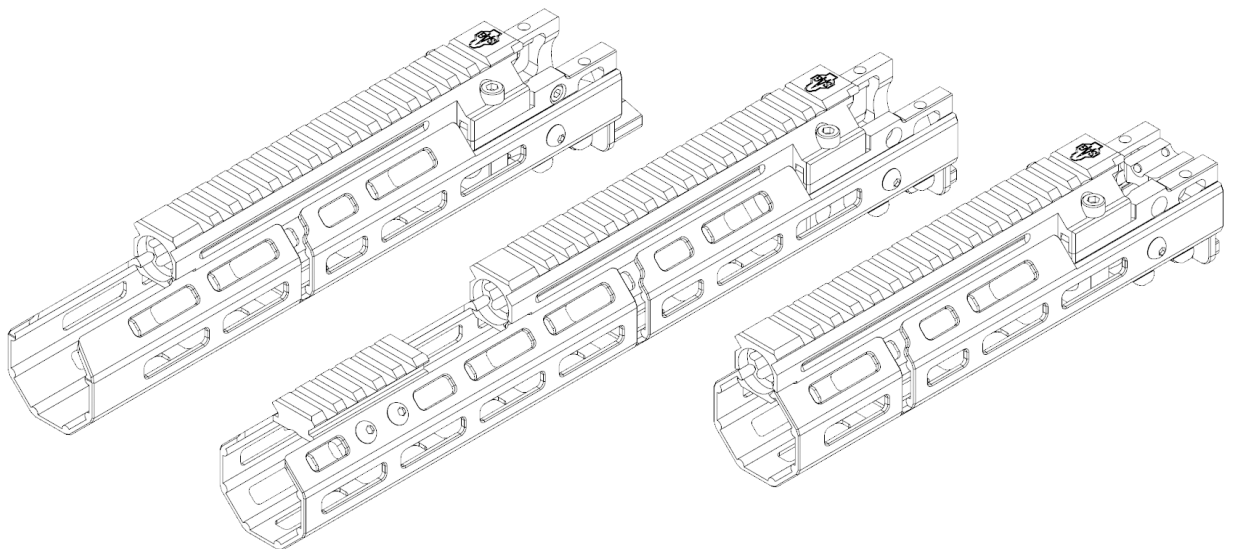


**MANUAL**



# **SURESHOT ARMAMENT**

## **MK1 HANDGUARDS**



**Sureshot Armament Group, 2024**

**[sureshot-armament.com](http://sureshot-armament.com)**

# Contents

Design	3
Installation instructions	4

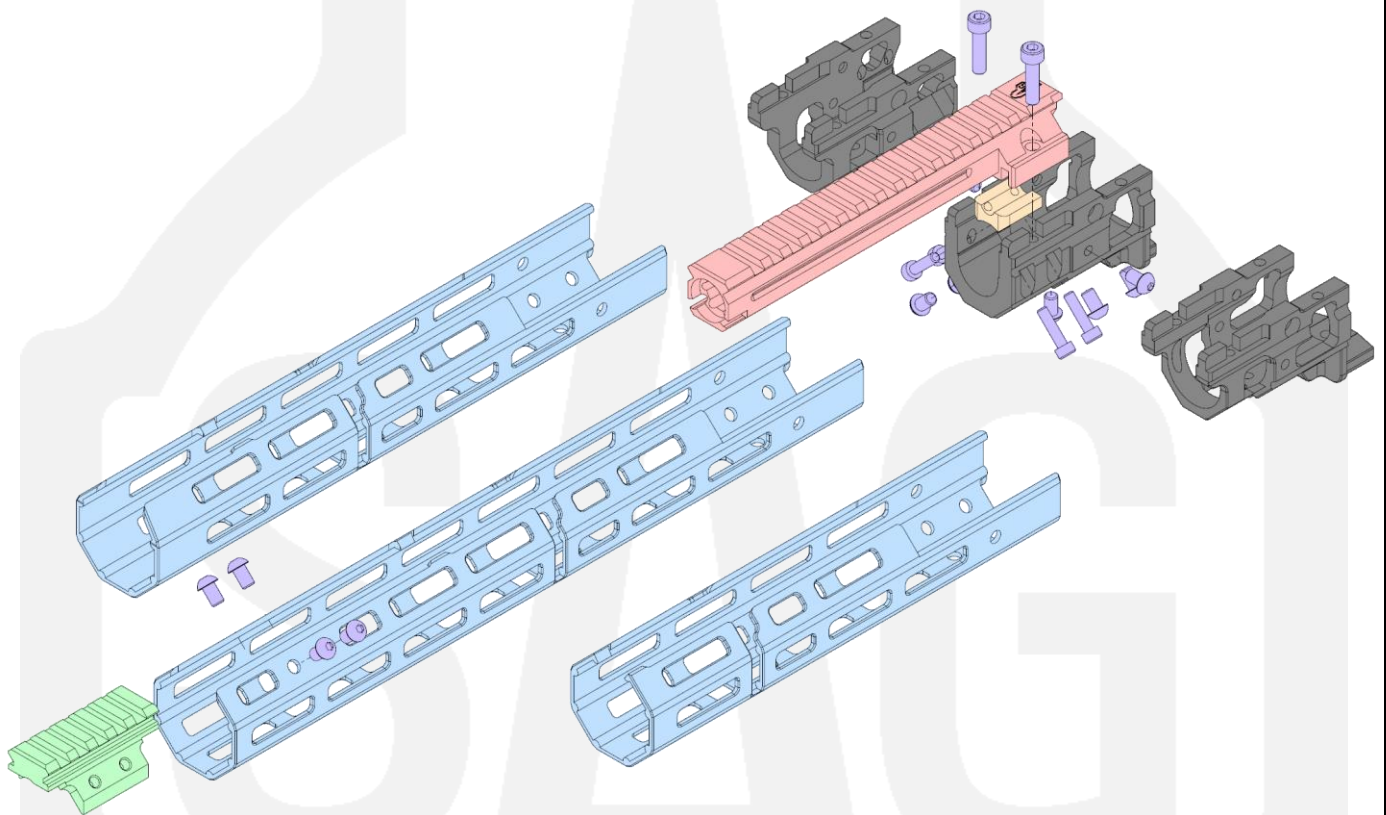


# MK1 HANDGUARDS

## Design

art.: S20001 S20034  
S20041 S20043  
S20044 S20065  
S20077

The assembly consists of the following parts:

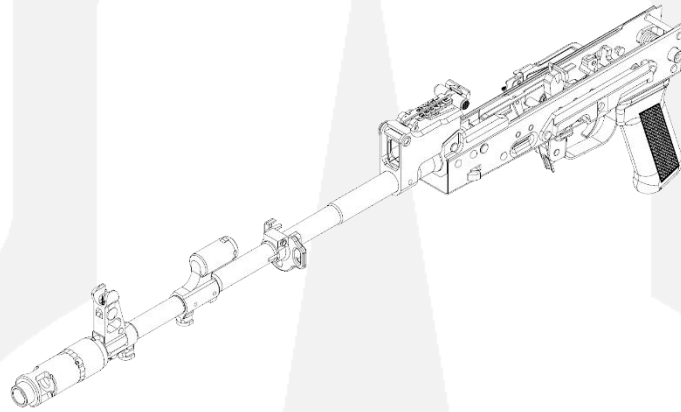


■ mount    ■ top clamp    ■ gas tube    ■ handguard  
■ Picatinny insert    ■ screws

# Installation instructions

## I. Install the top clamp:

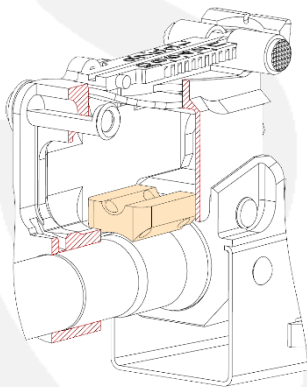
1. Prepare your firearm: remove the original dust cover, recoil spring, bolt carrier group, handguards



**WARNING!** Make sure your firearm is unloaded and safe before beginning any procedures! Your safety is *your* responsibility!

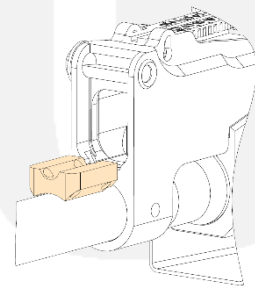
2. For AK/Saiga/VPO: set the top clamp and mount onto the barrel

AK/Saiga



S20001, S20034, S20041

VPO



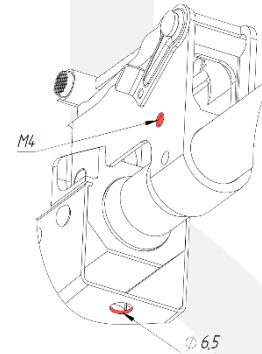
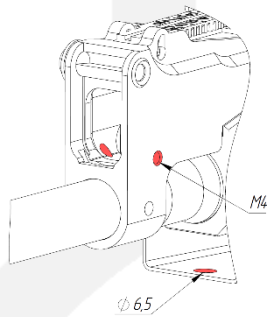
S20065, S20077

■ top clamp

## II. Install the mount:

### 3. For Saiga .308: drill holes for screws

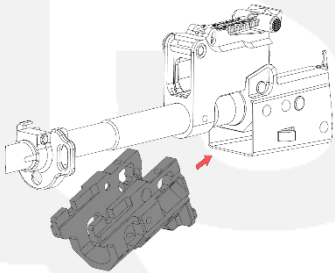
Saiga .308



S20043, S20044

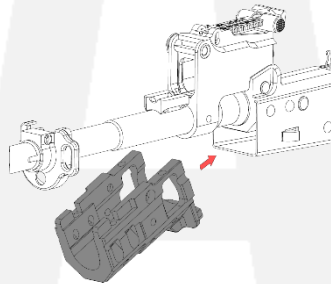
### 4. Install the mount

AK/Saiga



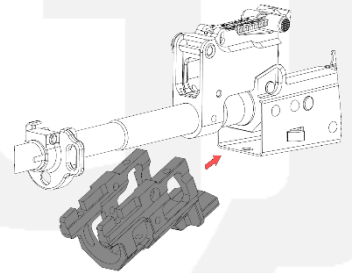
S20001, S20034, S20041

VPO



S20065, S20077

Saiga .308



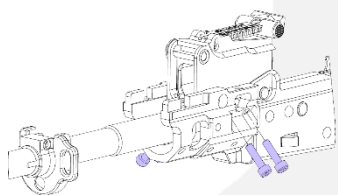
S20043, S20044

■ screw holes    ■ mount

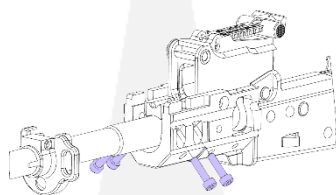
### III. Secure the mount and install the gas tube:

5. Secure the mount: screw in all the screws to the stop, tighten to 30 inch pounds (3,5 N·m)

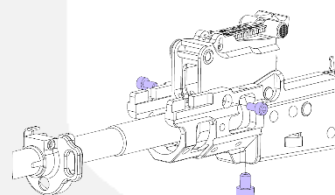
AK/Saiga



VPO



Saiga .308

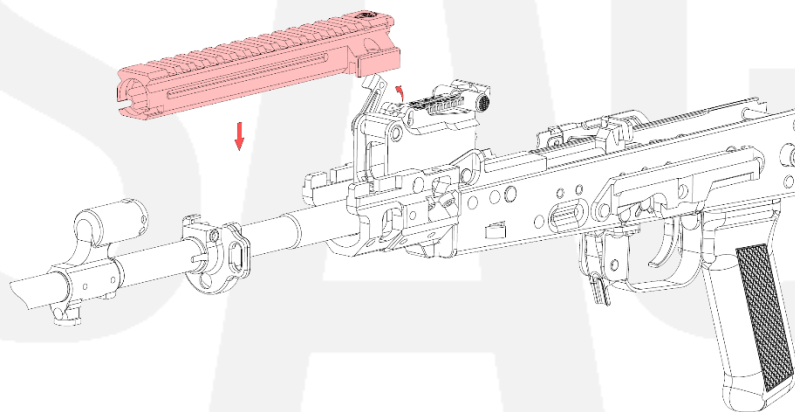


S20001, S20034, S20041

S20065, S20077

S20043, S20044

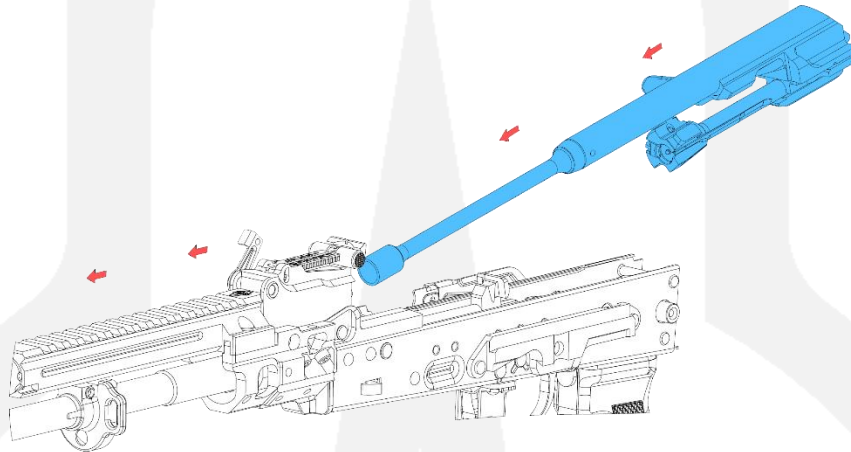
6. Install the gas tube



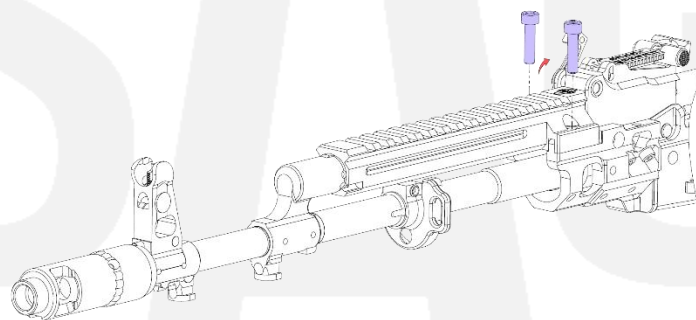
■ gas tube   ■ screws

#### IV. Reinstall the bolt carrier group and secure the gas tube:

##### 7. Reinstall the bolt carrier group



##### 8. Secure the gas tube: screw in all the screws to the stop, tighten to 30 inch pounds (3,5 N·m)

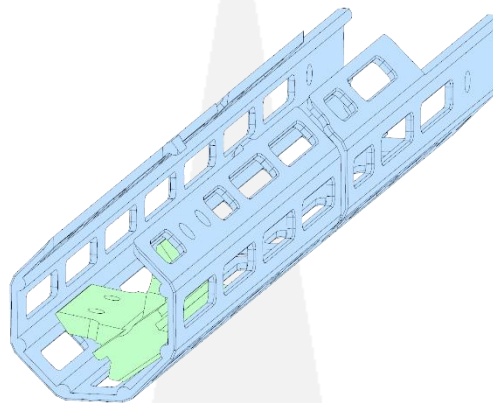


■ screws   ■ bolt carrier group

## V. Install the handguard:

9. For 7 M-LOK: put the Picatinny insert in the handguard as shown

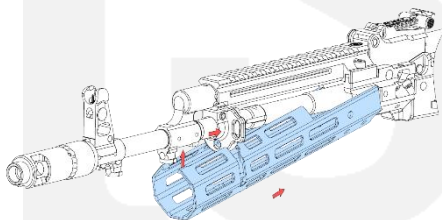
7 M-LOK



S20041, S20043, S20065

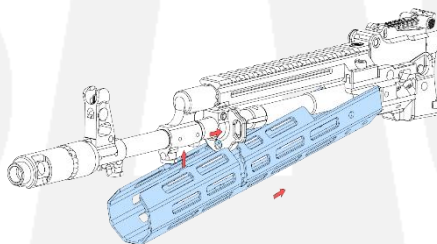
10. Install the handguard

4 M-LOK



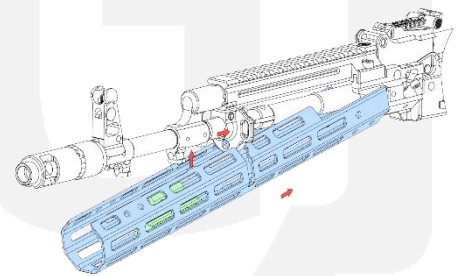
S20001

5 M-LOK



S20034, S20044, S20077

7 M-LOK



S20041, S20043, S20065

■ handguard

■ Picatinny insert



## VI. Secure the handguard:

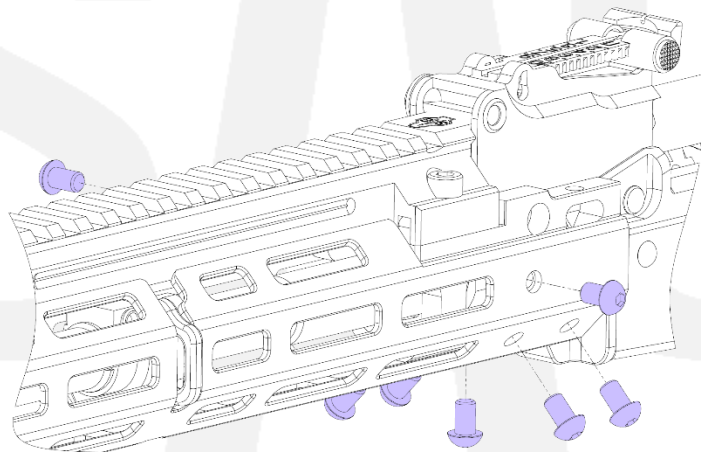
11. For 7 M-LOK: drop out the Picatinny insert and secure it with screws to 30 inch pounds (3,5 N·m)

7 M-LOK



S20041, S20043, S20065

12. Secure the handguard: screw in all the screws to the stop, tighten to 30 inch pounds (3,5 N·m)



■ Picatinny insert   ■ screws



**Distributed by**

**NOVI PARTIZAN SAG doo Beograd**  
11050 Beograd (Zvezdara), Vojvode Šupljikca 11A  
Website: [www.novi-partizan.com](http://www.novi-partizan.com)  
E-mail: [ceo@novi-partizan.com](mailto:ceo@novi-partizan.com)  
Phone: +381645963472

